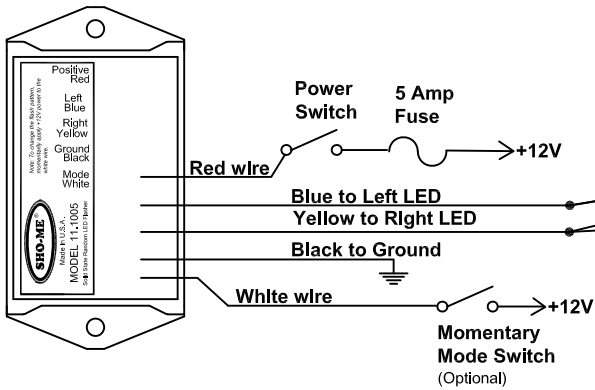
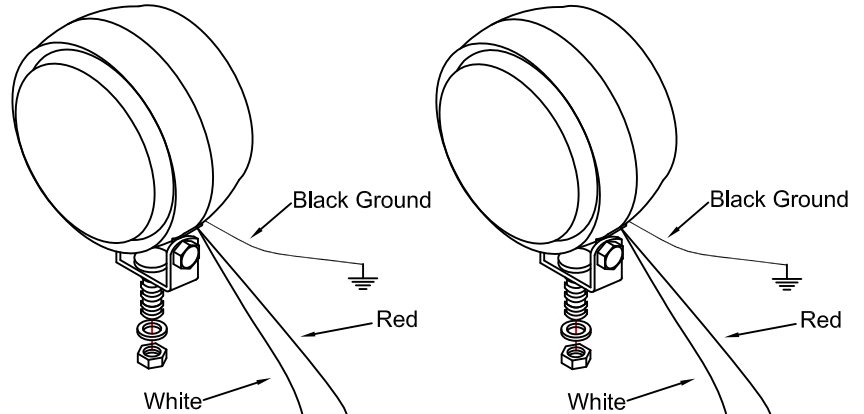
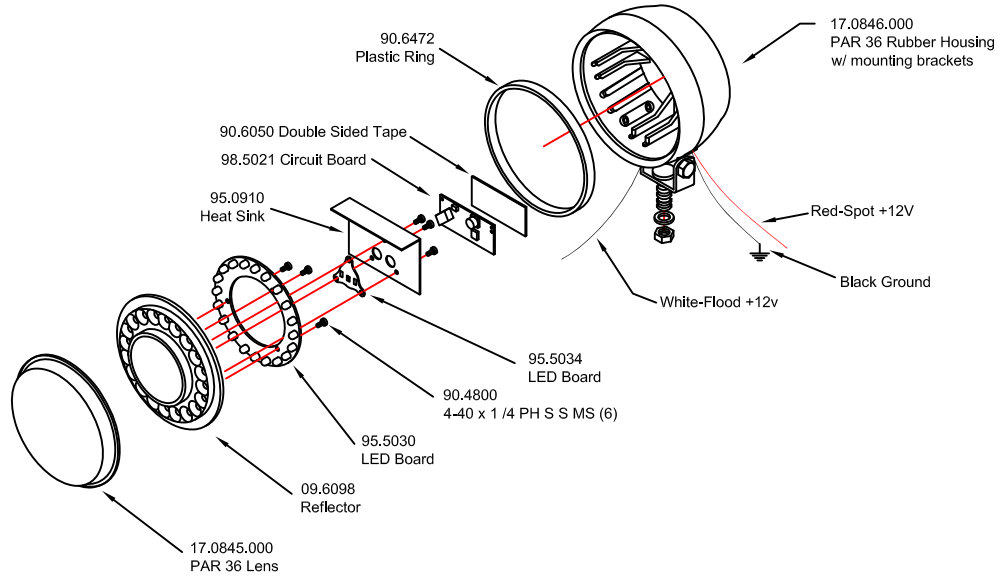




MODEL NO. 12.84201 Bi-Color PAR 36 LED Light Kit



PRODUCTS COMPANY 804 East Hwy 248 Cassville, MO 65625
 U.S. and Canada Toll Free Numbers Phone: 800-641-4098 FAX: 800-526-1240
 E-mail: sales@able2products.com WEB: www.able2products.com