



MODEL NO. 10.8180.W00 Mega LED Scene Light

INSTALLATION:

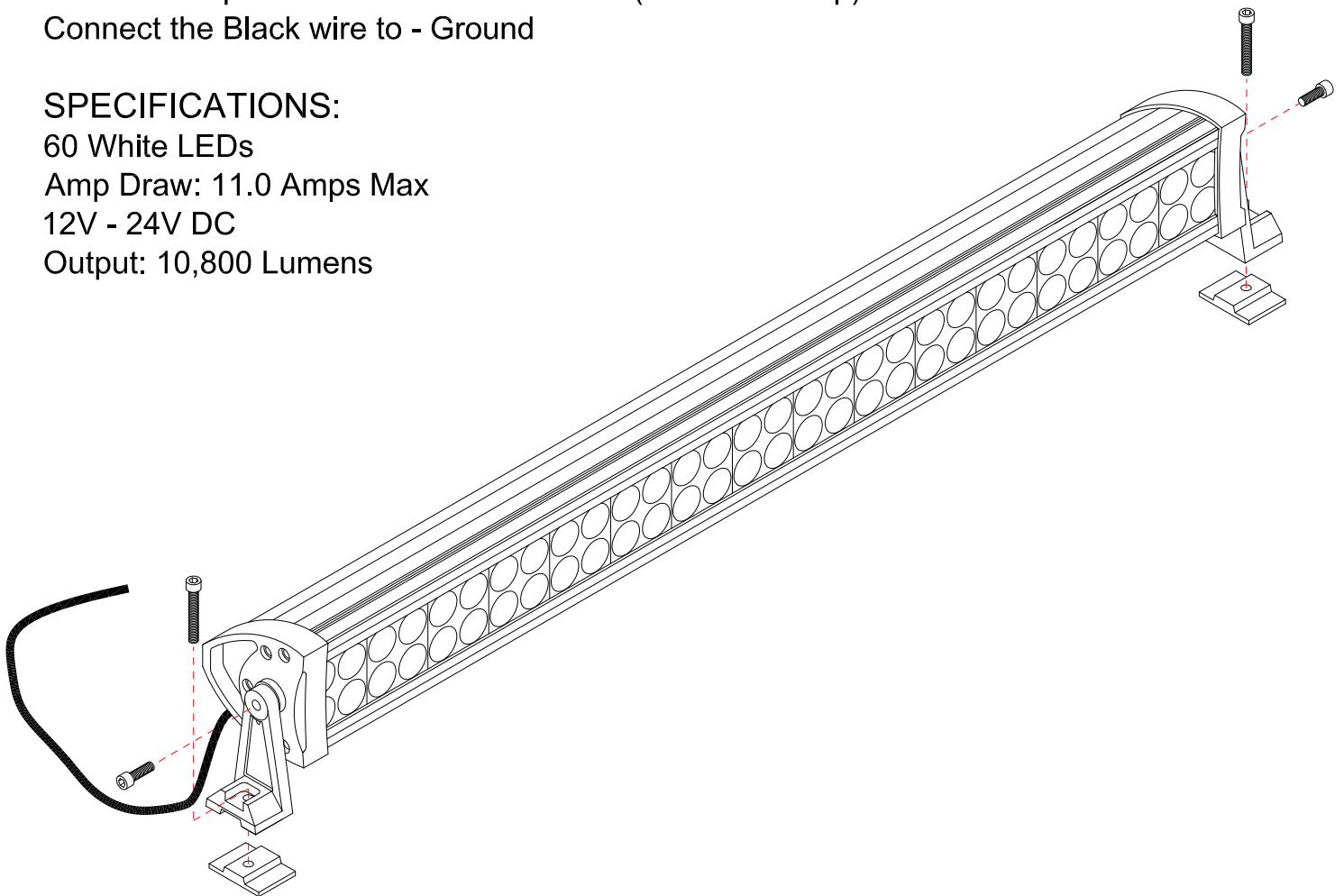
Select a location suitable for installation of the light. Take special care to ensure the light or wires do not obstruct the deployment of the airbag! Mark the location of the mounting holes. Drill holes at these locations using a 5/16" drill bit. Mount the brackets, and then mount the light to the brackets using the supplied bolts and washers as shown in the diagram below.

WIRING:

Connect the positive wire to +12v to +24v (fuse at 15 amp).
Connect the Black wire to - Ground

SPECIFICATIONS:

60 White LEDs
Amp Draw: 11.0 Amps Max
12V - 24V DC
Output: 10,800 Lumens



PRODUCTS COMPANY 804 East Hwy 248 Cassville, MO 65625
U.S. and Canada Toll Free Numbers Phone: 800-641-4098 FAX: 800-526-1240
E-mail: sales@able2products.com WEB: www.able2products.com