



Model 10.6406 Glass Mount Bracket

For use with 10.6322 Mega-63 LED Light

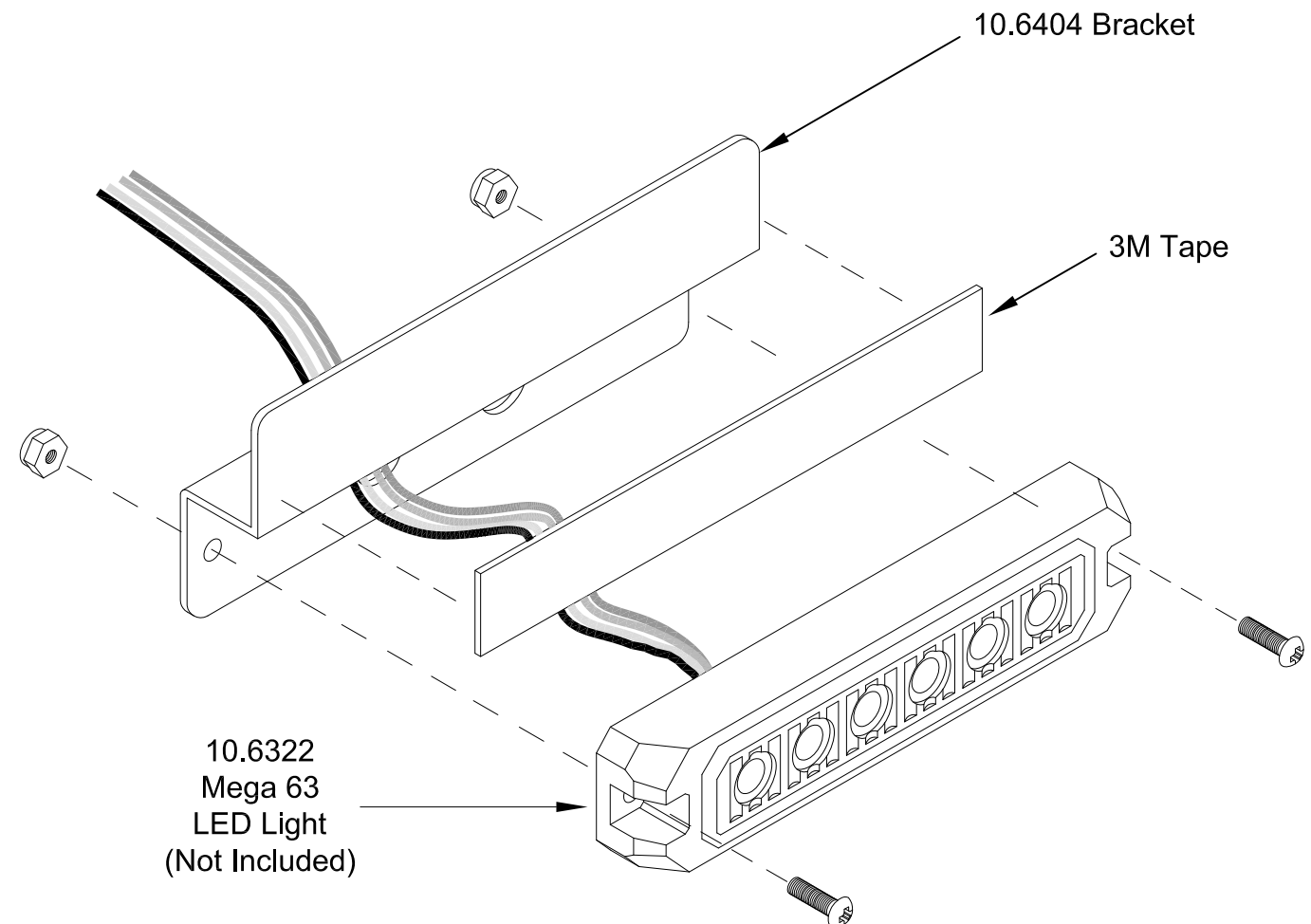
INSTALLATION:

Select a location suitable for installation of the light. Take special care to ensure the light or wires do not obstruct the deployment of the airbag!

Mount the light to the bracket using the 2 bolts and nylon hex nuts provide, as shown in diagram below.

Apply the 3M tape to the bracket. Clean the mounting location of the glass with alcohol and let dry.

Peel the backing off the 3M tape and position the bracket on to the glass and press firmly.



PRODUCTS COMPANY 804 East Hwy 248 Cassville, MO 65625
U.S. and Canada Toll Free Numbers Phone: 800-641-4098 FAX: 800-526-1240
E-mail: sales@able2products.com WEB: www.able2products.com