



Installation Manual
MEGA LED Dash Light
Model: 10.6330 / 10.6332

IMPORTANT WARNING: When the LED Dash Light is mounted, it must not obstruct any part of the driver's view. Make sure that after the light is installed, the operator has an unobstructed view through the windshield.

Do not install this product or route any wires in the deployment area of your airbag. Equipment mounted or located in the airbag deployment area will damage or reduce the effectiveness of the airbag, or become a projectile that could cause serious personal injury or death. Refer to your vehicle owners manual for the air bag deployment area. The User/Installer assumes full responsibility to determine proper mounting location, based on providing ultimate safety to all passengers inside the vehicle. Able2 Products Co. assumes no liability or responsibility for determining individual applications or exact installation location criteria.

Installation Instructions:

- 1) Attach "L" Brackets with suction cups to the LED Dash Light with hardware provided.
- 2) Determine mounting location.
- 3) Apply the suction cups to the windshield.
- 4) Connect Red wire to +12 VDC.
- 5) Connects Black wire to Ground.
- 6) Connect White wire to Momentary +12 VDC.

General Information

10.6330

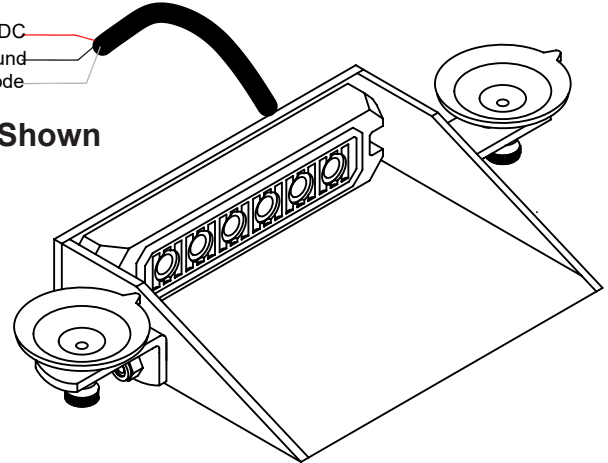
Voltage +12 VDC
 Amp Draw .7 amp max @+13.8 VDC
 Fuse 3 amp

10.6332

Voltage +12 VDC
 Amp Draw 1.4 amp max @+13.8 VDC
 Fuse 3 amp

Red +12VDC
 Black = Ground
 White = Mode

10.6330 Shown



To change flash pattern, momentarily apply +12 VDC to White wire. Each time +12 VDC momentarily applied to the White wire, the flash pattern will change.
 Less than 1 second for next pattern.
 About 3-5 seconds for steady burn.
 More than 5 seconds to turn off.

Flash Patterns

- | | |
|------------------------|-------------------------|
| 1. Quad Burst - Split | 12. Super Flash - Alt |
| 2. Quad Burst - All | 13. Quad/Sgl-Quad -Splt |
| 3. Quad Burst - Alt | 14. Quad/Sgl-Quad -All |
| 4. Quad - Split | 15. Accelerator - Splt |
| 5. Quad - All | 16. Accelerator - All |
| 6. Quad - Alt | 17. Express Flash |
| 7. Single - Split | 18. CA. Steady Pulse |
| 8. Single - All | 19. California Steady |
| 9. Single - Alt | 20. Steady All |
| 10. Super Flash - Splt | 21. Cycle Flash - Splt |
| 11. Super Flash - All | |



804 E Hwy 248 Cassville, Missouri 65625
 U.S. and Canada Toll Free Numbers: Phone: 800-641-4098 FAX: 800-526-1240
 E-mail: sales@able2products.com WEB: www.able2products.com