

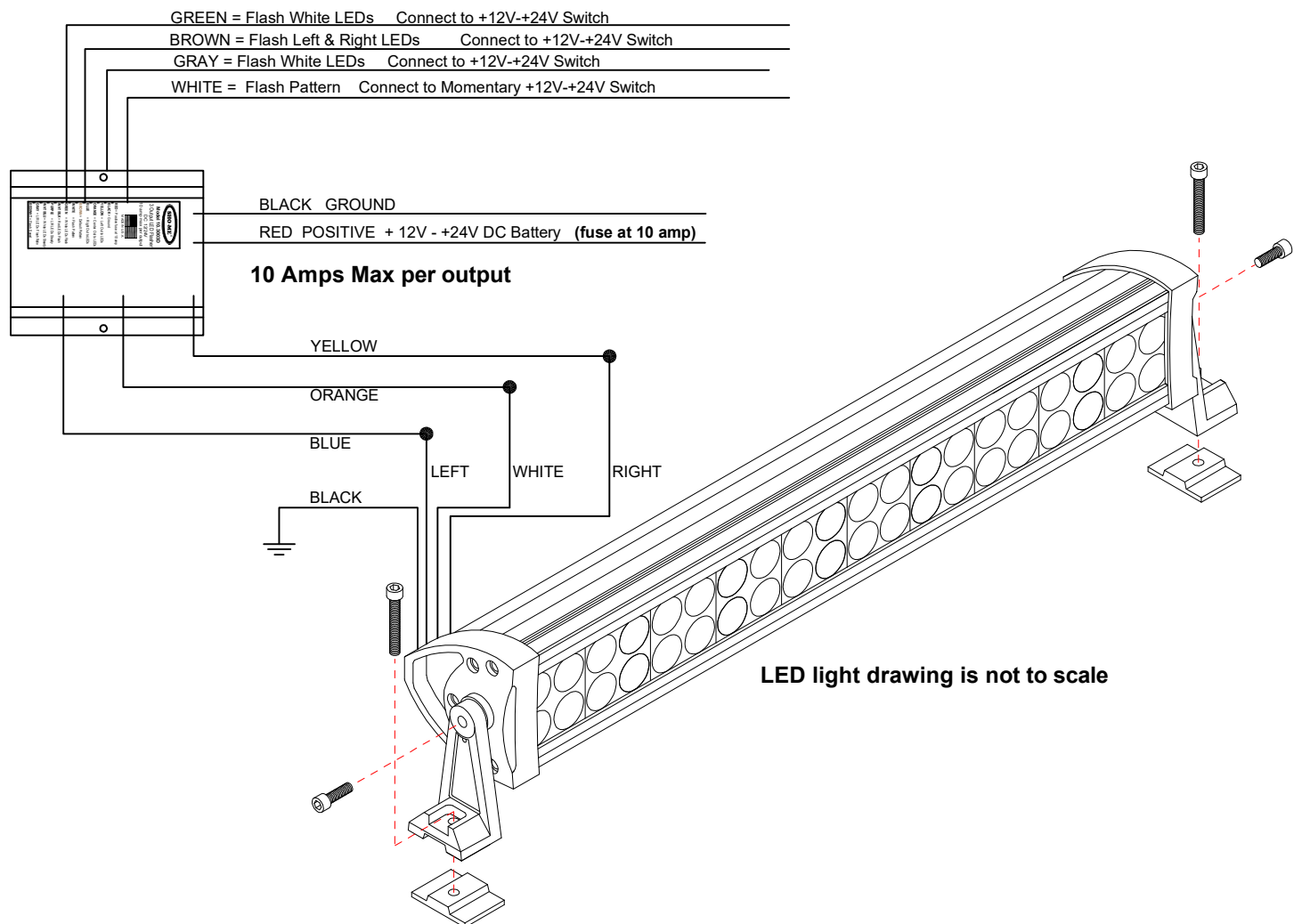


# MODEL NO. 10.5000 Series LED ESL X-TRA Light with 10.3003 3-Output LED Flasher

### INSTALLATION:

Select a location suitable for installation of the flasher and light. Take special care to ensure the wires do not obstruct the deployment of the airbag! Mark the location of the mounting holes for the flasher and light. Drill holes at these locations. Mount the flasher and light using the supplied hardware.

**NOTE: This wiring diagram is for use with a 10.3003 flasher and 10.5000 ESL X-TRA Light only !**



**PRODUCTS COMPANY** 804 East Hwy 248 Cassville, MO 65625  
U.S. and Canada Toll Free Numbers Phone: 800-641-4098 FAX: 800-526-1240  
E-mail: sales@able2products.com WEB: www.able2products.com