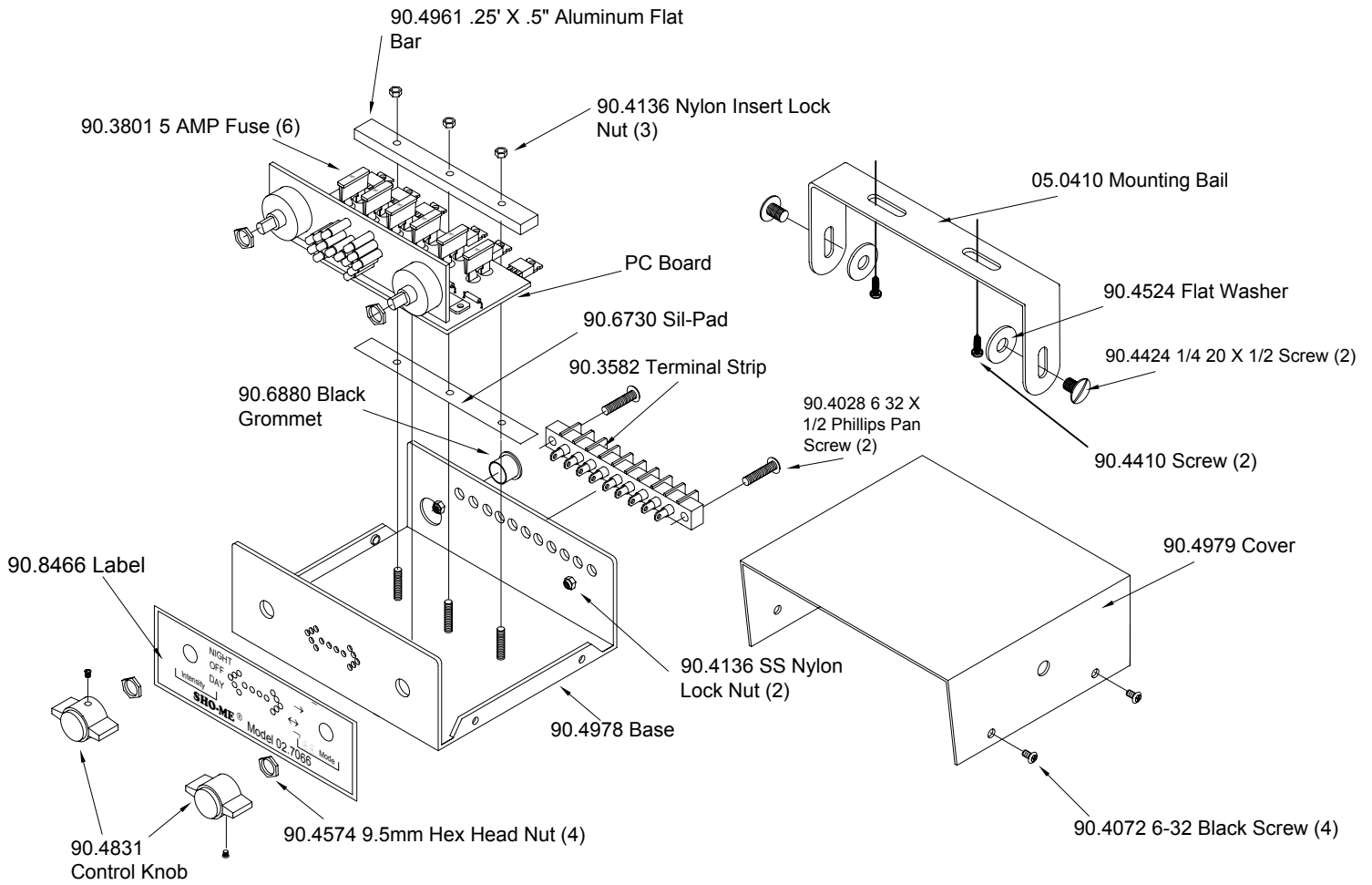
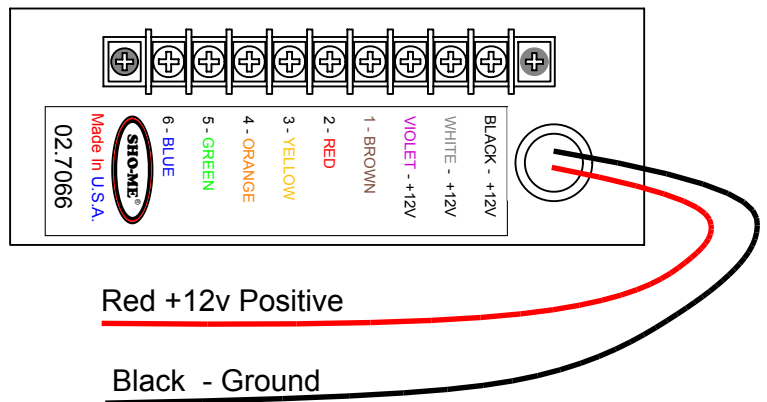




MODEL NO. 02.7066 Arrow Board Control Box
 For use with Ground Switching Arrows



Black	-	+12V Positive
White	-	+12V Positive
Violet	-	+12V Positive
Brown	-	Ground 1
Red	-	Ground 2
Yellow	-	Ground 3
Orange	-	Ground 4
Green	-	Ground 5
Blue	-	Ground 6



PRODUCTS COMPANY 804 East Hwy 248 Cassville, MO 65625
 U.S. and Canada Toll Free Numbers Phone: 800-641-4098 FAX: 800-526-1240
 E-mail: sales@able2products.com WEB: www.able2products.com