

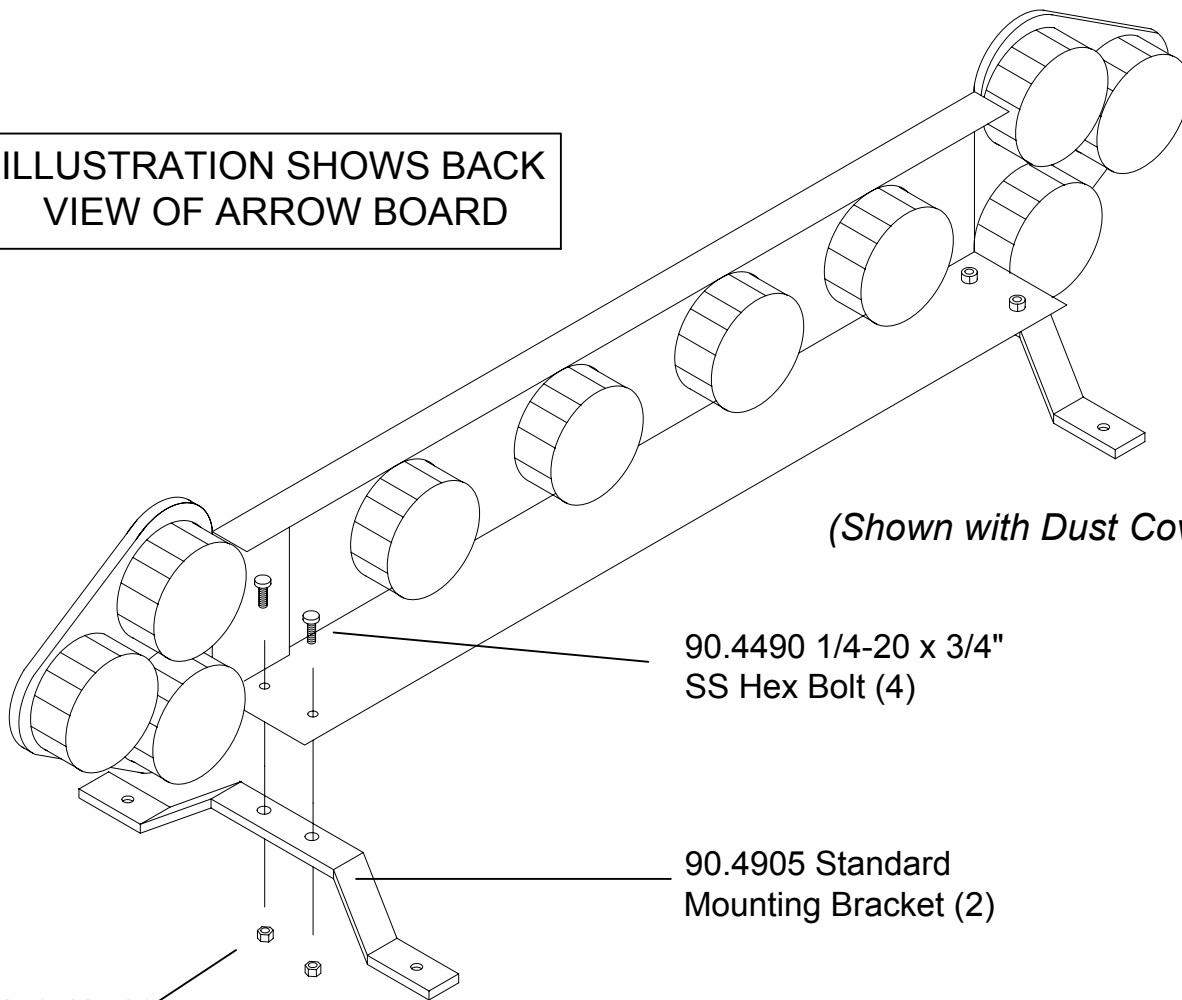


ASSEMBLY DIAGRAM  
ARROW BOARD  
MODEL NO. 02.6017

Standard Mounting Bracket

Optional Mounting Accessory for use with One Piece Arrow Boards

ILLUSTRATION SHOWS BACK  
VIEW OF ARROW BOARD



*(Shown with Dust Cover removed)*

90.4490 1/4-20 x 3/4"  
SS Hex Bolt (4)

90.4905 Standard  
Mounting Bracket (2)

90.4150 1/4-20  
SS Lock Nut (4)



**PRODUCTS COMPANY** • 804 East Hwy. 248 • Cassville, MO 65625  
U.S. and Canada Toll Free Numbers • Phone: 800-641-4088 FAX: 800-526-1240  
E-mail: [sales@able2products.com](mailto:sales@able2products.com) WEB: [www.able2products.com](http://www.able2products.com)