



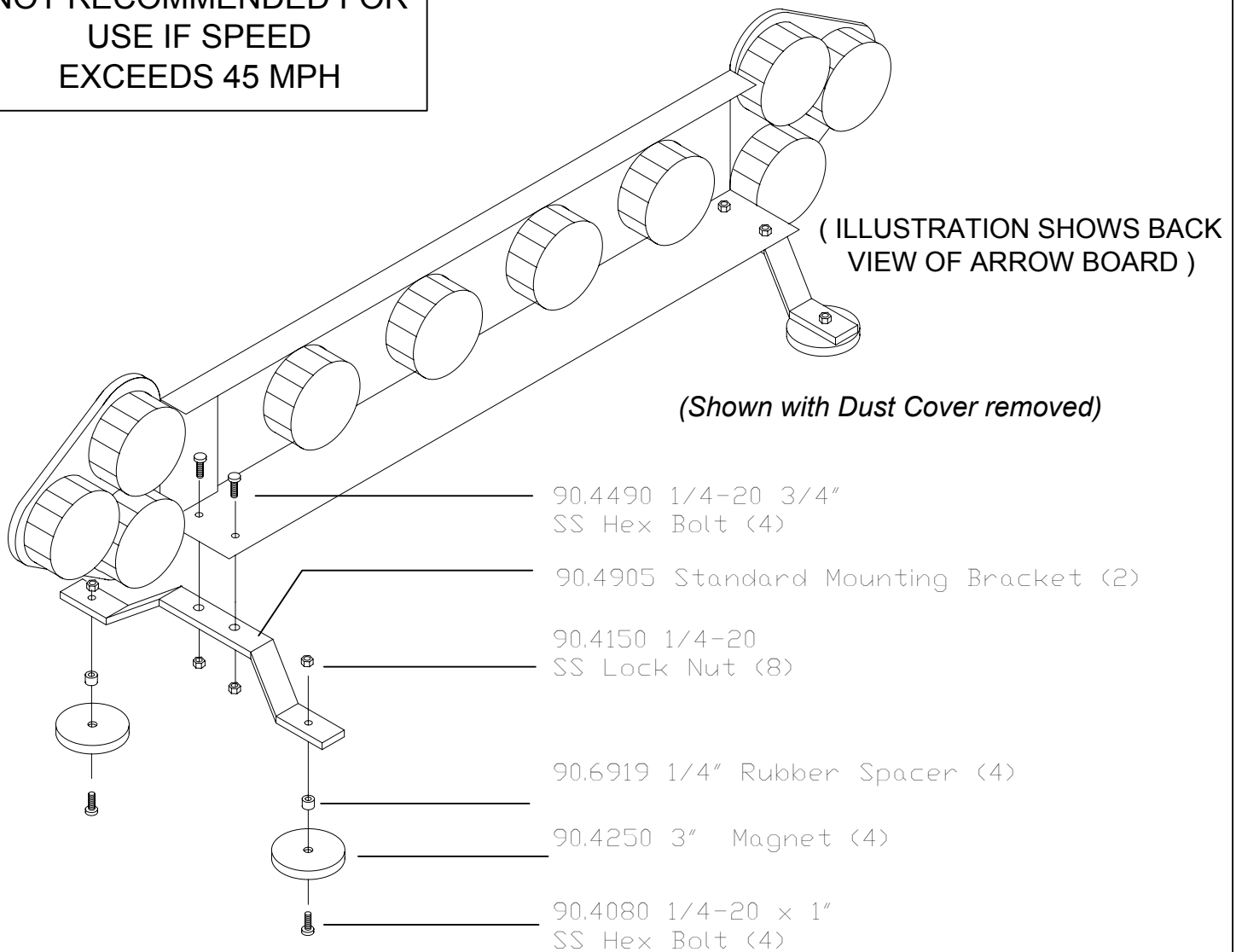
ASSEMBLY DIAGRAM  
ARROW BOARD  
MODEL NO. 02.6016

Magnetic Mounting Bracket

Optional Mounting Accessory for use with One Piece Arrow Boards

NOTICE

MAGNETIC MOUNTING  
NOT RECOMMENDED FOR  
USE IF SPEED  
EXCEEDS 45 MPH



**PRODUCTS COMPANY** 804 East Hwy 248 Cassville, MO 65625  
U.S. and Canada Toll Free Numbers Phone: 800-641-4098 FAX: 800-526-1240  
E-mail: sales@able2products.com WEB: www.able2products.com