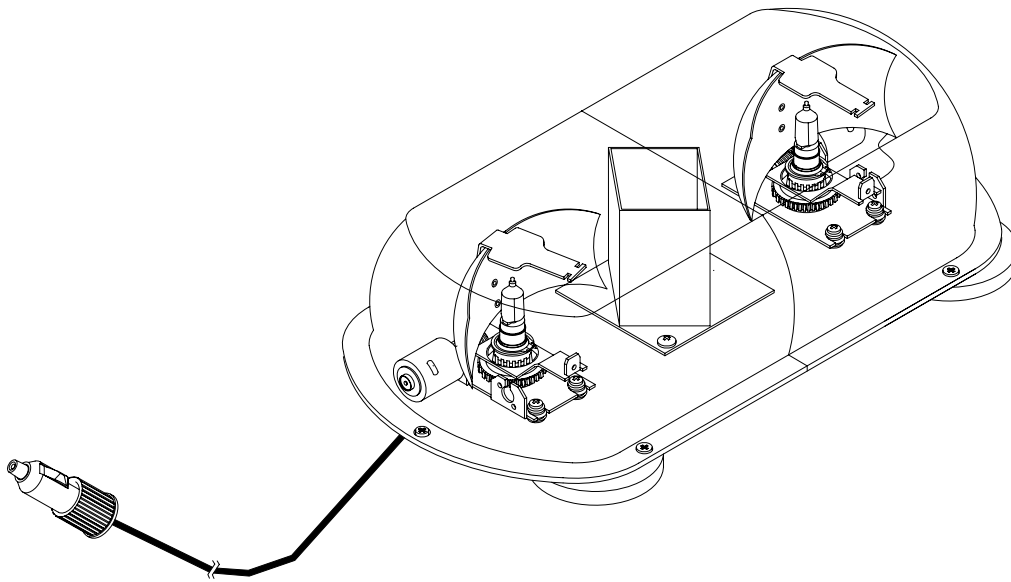




MODEL NO. 01.3269
Magnetic Mount
Halogen Mini Bar



INSTALLATION INSTRUCTIONS:

Determine mounting location. Be sure mounting surface is clean and free of debris. Route power wire inside vehicle to cigarette lighter or power outlet. Keep in mind air bag deployment zones and other obstacles.

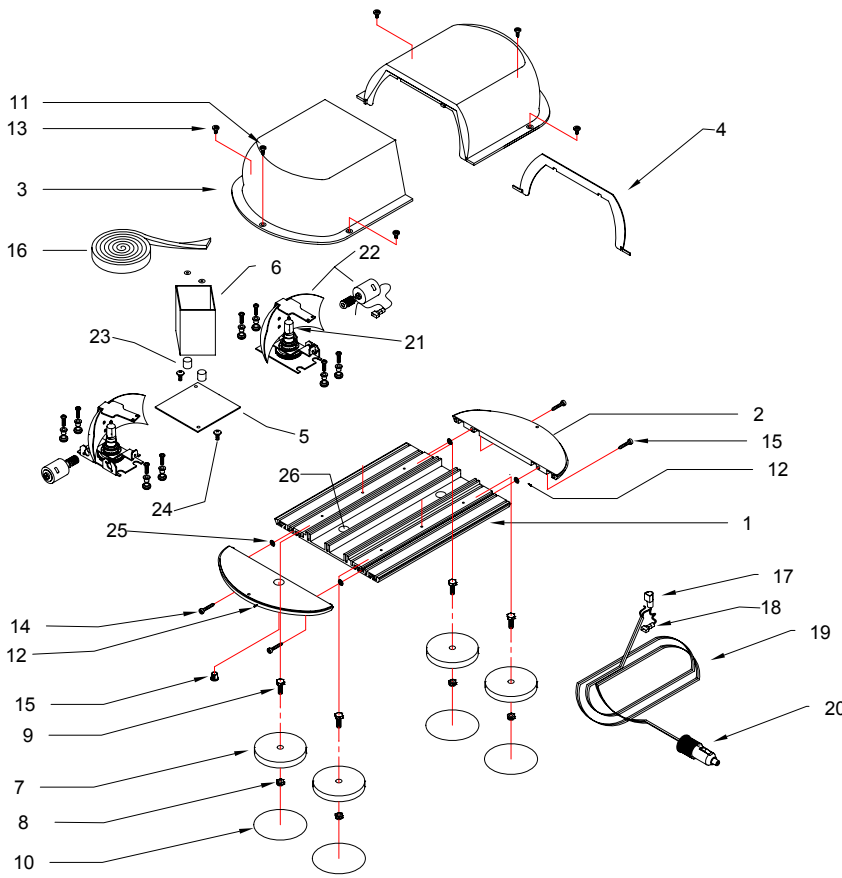
BULB REPLACEMENT: NOTE-- DO NOT TOUCH HALOGEN BULBS WITH BARE HANDS.

Disconnect cigarette plug from power outlet. **Allow time for bulbs to cool.** Halogen bulbs are extremely hot while in operation. Remove six screws holding top lens on. Grasp bulb firmly, being careful not to break the glass. Push down, turn counterclockwise and pull from socket. Install new bulb. Replace top lenses.

WARNING: The steel content of vehicle roofs varies considerably and some may not be suitable for mounting warning lights with magnetic bases. **It is the sole responsibility of the users** of magnetic based lights to determine if portable warning lights may be safely used on the exterior of vehicle.



PRODUCTS COMPANY 804 East Hwy 248 Cassville, MO 65625
U.S. and Canada Toll Free Numbers Phone: 800-641-4098 FAX: 800-526-1240
E-mail: sales@able2products.com WEB: www.able2products.com



**Parts List For 01.3269
Halogen Mini Bar-Magnetic Mount**

ITEM	MODEL NO.	DESCRIPTION	QTY
1	90.4986.000	Main Alu Extrusion	1
2	90.6125.000	Black Plastic Endcaps	2
3	01.3470.000	Dome-Amber, Red,Blue,Clear,Green	2
4	90.6042.000	Gasket	1
5	90.4510.000	3 5/ 8 X 3 5/ 8 Metal Under Mirror	1
6	90.6123.000	Mirror/Reflector	1
7	90.4250.000	Magnet	4
8	90.4150.000	1/ 4-20 Nylon Insert L/N NTE SS	4
9	90.4490 SS	1/ 4-20 x 3/ 4 Hex HD Bolt	4
10	90.6140.000	3.200 Dia Vinyl Discs WHT	4
11	90.4002.000	#8 X 1/ 2 812 Self Tapping Screw	9
12	90.4072.000	1/ 4" #6-32 Phillips	10
13	90.4017.SS	8-32 x 5/ 8" Pan HD PH Type F ZP	14
14	90.4021.SS	#8x1" RD Head Phil S/M	4
15	90.6430.000	#1167 Heyco Strain Relief Bushing	1
16	90.6039.000	1/ 8" X 3/ 4" Black Foam Adhesive 50"	1
17	83.0261.000	Terminals (Yellow)	2
18	83.0259.000	Terminals (Blue)	1
19	43.0162.000	12 FT Straight Cord	1
20	90.3272.000	Cigarette Adaptor Plug	1
21	92.0795.000	Halogen Bulb	2
22	33.0341.000	Rotator Assembly W/01.3481 Motor	2
23	90.4760.000	Pop-rivets ALU Cherry	2
24	90.4588.000	10-32 x 3/ 8 SS Truss PH M/S BL Z	2
25	90.4530.000	#8 External Tooth Lock Washer	4
26	90.6027.000	Vent	2

LIMITED WARRANTY

Able 2 Products Company warrants each new product (except bulbs, strobe tubes, strobe power supplies and LED Products) to be free from defects in material and workmanship for a period of two years from the date of purchase. During this warranty period, the obligation of Able 2 is limited to repairing or replacing, as Able 2 may elect, any part or parts, which after examination by Able 2 are determined to be defective, when they are delivered pre-paid. This limited warranty does not cover travel expense, the cost of specialized equipment for gaining access to the product, or labor charges for the removal and re-installation of the product.

Able 2 Products Company shall not be liable for incidental or consequential damages, including but not limited to : Loss of use of vehicle, Rental of substitute vehicle, Loss of time, Loss of work, Inconvenience, Transportation expenses, Telephone, Lodging, Loss of revenue, Loss of and /or damage to personal property for or arising out of breach of any express or implied warranty of its products.

Use of lamp or other electrical load of a wattage higher than installed or recommended by the factory, or use of inappropriate or inadequate wiring or circuit protection causes this limited warranty to become void. Able 2 Products Company will in no way be liable for any loss of profits or any indirect or consequential damages arising out of any such defect in material and workmanship whether loss is due to negligence or breach of warranty. This limited warranty does not apply to shipping damage, accident, alteration, tampering, misuse or abuse and unauthorized service.

This limited warranty is expressly in lieu of all other express or implied warranties, including the implied warranty of merchantability and the implied warranty of fitness for a particular purpose, and of all other obligations or liabilities on the part of Able 2 Products Company. There are no warranties, unless expressed in authorized Able 2 literature, which extend beyond the description of the face hereof. No dealer, distributor, employee, or representative of the company is authorized to change this warranty in any way or to grant any other warranty.

WARRANTIES:

All LED Products	5 Years
T Model & Potted Strobe Power Supplies	2 Years
All Other Strobe Power Supplies	5 Years
All Other Products EXCEPT Bulbs	2 Years (under normal use)
Strobe Tubes	1 Year (under normal use)

NOTE: Halogen and Incandescent Bulbs are not covered by warranty.

PRODUCT RETURNS

If a product must be returned, contact our factory by calling 1-800-641-4098 to obtain a Return Authorization Number (RA) before you ship the product. Write the RA Number clearly on the package and return it to Able 2 Products Company, P.O. Box 543, 804 E. Hwy. 248, Cassville, MO 65625-0543. A packing slip should be included with all shipments listing the sender's name, address, daytime phone number and description of defect. Your product will be put in first-class operating condition or replaced with a new part, and returned pre-paid.