



Mounting Instructions 30.7333 Speaker Bracket for 1999-2002 Explorer

A. Unpacking

Carefully remove the Explorer Slim Speaker Bracket from the box. Check to make sure all hardware is enclosed.

B. Disassembly

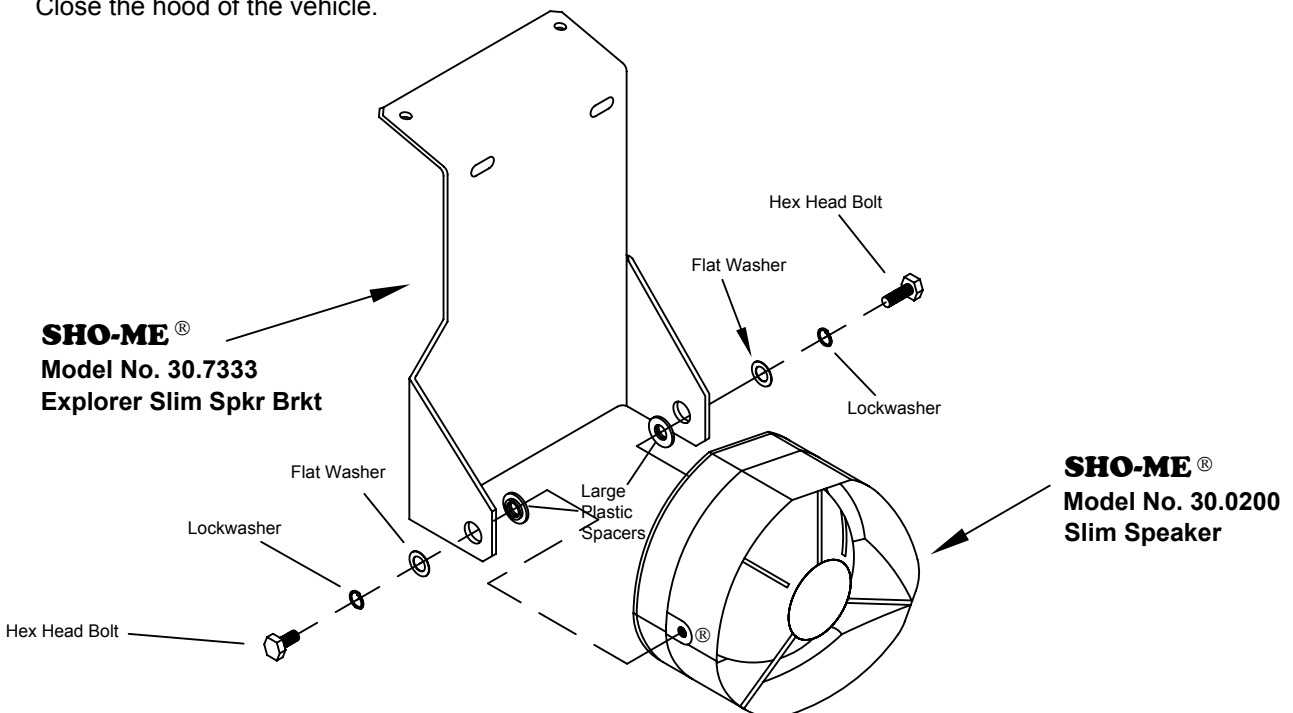
Remove the bolts from the generic mounting bracket to remove the Slim Speaker. Be sure to retain the (2) hex head bolts, the (2) lockwashers, the (2) flat washers and the (2) large plastic spacers. The (2) small plastic spacers will not be needed with the Explorer Slim Speaker Bracket.

C. Assembly

See figure 1. Mount the speaker to the bracket with the (2) hex head bolts, the (2) lockwashers, the (2) washers and the (2) large plastic spacers obtained in the previous step.

D. Installation

1. Open the hood of the vehicle. Remove the plastic panel located between the crossbar of the radiator and the grille.
2. Position the Slim Speaker Bracket over the holes in the top of the radiator support bracket to the right (drivers side) of the hood latch.
3. Center punch (2) hole locations on the top of the radiator crossbar using the speaker bracket holes as a guide.
4. Remove the speaker bracket and drill the (2) holes on the top of the radiator crossbar.
5. Affix the speaker bracket using the (2) new screw holes on the top of the radiator crossbar.
6. Connect the wire protruding from the speaker to the siren (see siren instructions).
7. Re-secure the plastic panel using the (3) plastic rivets removed earlier.
8. Close the hood of the vehicle.



PRODUCTS COMPANY 804 East Hwy 248 Cassville, MO 65625
U.S. and Canada Toll Free Numbers Phone: 800-641-4098 FAX: 800-526-1240
E-mail: sales@able2products.com WEB: www.able2products.com