



Mounting Instructions 30.7312 Slim Speaker Bracket for Chevrolet Impala

A. Unpacking

Carefully remove the Slim Speaker and Impala Slim Speaker Bracket from their box(es). Check to make sure all hardware is enclosed.

B. Disassembly

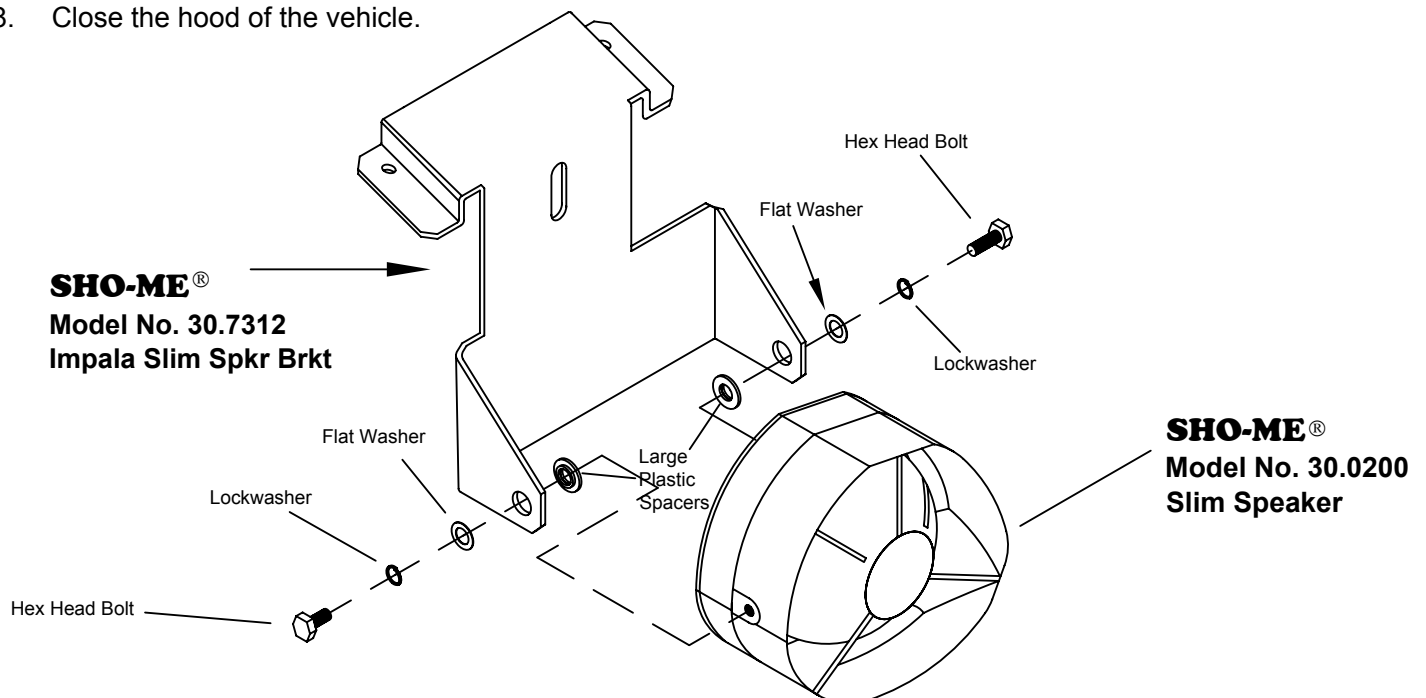
Remove the bolts from the generic mounting bracket to remove the Slim Speaker. Be sure to retain the (2) hex head bolts, the (2) lockwashers, the (2) flat washers and the (2) large plastic spacers. The (2) small plastic spacers will not be needed with the Impala Slim Speaker Bracket.

C. Assembly

See figure 1. Mount the speaker to the bracket with the (2) hex head bolts, the (2) lockwashers, the (2) washers and the (2) large plastic spacers obtained in the previous step.

D. Installation

1. Open the hood of the vehicle. Remove the plastic panel located between the crossbar of the radiator and the grille. To do so you must remove (3) plastic rivets.
2. Remove the bolt from the front of the driver-side motor-mount bracket.
3. Position the speaker bracket over the driver-side motor-mount bracket. Center punch (2) hole locations on the top of the radiator crossbar using the speaker bracket holes as a guide.
4. Remove the speaker bracket and drill the (2) holes on the top of the radiator crossbar.
5. Affix the speaker bracket using the (2) new screw holes on the top of the radiator crossbar along with the hole from which the driver-side motor-mount bracket bolt was removed.
6. Connect the wire protruding from the speaker to the siren (See siren instructions).
7. Re-secure the plastic panel using the (3) plastic rivets removed earlier.
8. Close the hood of the vehicle.



PRODUCTS COMPANY 804 East Hwy 248 Cassville, MO 65625
U.S. and Canada Toll Free Numbers Phone: 800-641-4098 FAX: 800-526-1240
E-mail: sales@able2products.com WEB: www.able2products.com