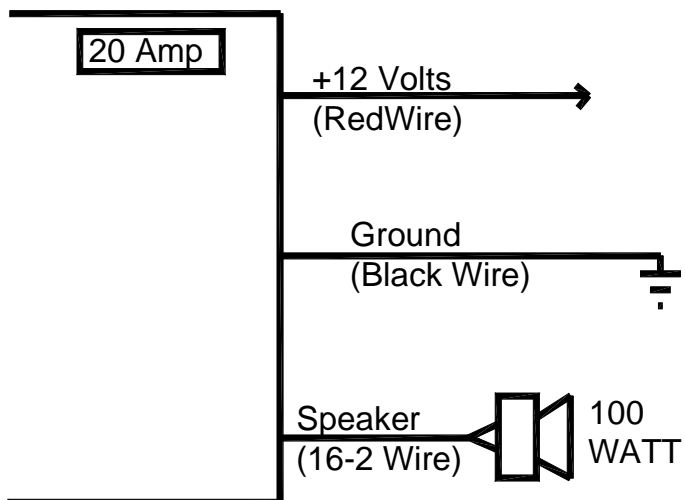


## Wiring Diagram for Amplifier Connections



## Installation Manual

# SHO-ME<sup>®</sup>

## Warble/Whoop Dash Mounted ELECTRONIC SIREN

### Model 30.2330

(WW2)

Manufactured in the U.S.A

### Other quality products manufactured by SHO-ME<sup>®</sup>

Speakers; LED Lights; Strobe Lights (Directional and 360°);  
Headlight Flasher Kits; Teardrop, Pancake and Roto-Beacon Lights;  
Mini-Bars; Stainless Steel Grille and Deck Lights;  
Custom Switch Panels; Spot and Flood Lights;  
6 Volt Rechargeable Lights; Map Lights; Megaphones;  
Accessory Outlets; Bucket Lights  
and many more Components and Accessories.

**Able 2**  
PRODUCTS COMPANY

P.O. Box 543 • 804 E. Hwy 248 Cassville, MO 65625-0543

#### Local and International Numbers

Phone: 417-847-4791 Fax: 417-847-2222

#### U.S. and Canada Toll-Free Numbers

Phone: 800-641-4098 Fax: 800-526-1240

# Warble / Whoop Dash Mounted **ELECTRONIC SIREN**

**Model 30.2330  
(WW2)**

This compact siren system is perfect for mounting in vehicles with very little room under the dash. The streamlined amplifier powers one 100 watt RMS speaker. It houses a lighted power switch and a lighted mode switch for convenient selection of either the WARBLE or the WHOOP mode.

## **INSTALLATION OF THE POWER AMPLIFIER**

Select a location under the dash that is suitable for installation of the amplifier - free from moisture, heat and abuse. The selected area should permit ease of operation and must not interfere with normal operation of the vehicle or deployment of any airbag(s).

Using the amplifier bracket as a template, mark the location of the mounting holes. Drill holes at these locations, then install the amplifier with the mounting screws provided.

CAUTION! All installations are the sole responsibility of the buyer. **Do not mount the amplifier in the engine compartment.** Make sure all wiring is run so that water cannot reach the siren by following the path of the wire.

## **SPEAKER CONNECTIONS**

Use only one 100 watt speaker with an 11 ohm impedance. Connect the speaker to the amplifier using the 16-2 (two conductor) wire provided. When mounting any speaker, make certain that its drain hole is positioned at the bottom of the installation in the 6 o'clock position.

## **POWER INPUT CONNECTIONS**

Connect the supplied 14 gauge BLACK wire leading from the amplifier to a ground location. (The negative terminal of the battery is the preferred ground location.)

Locate the 14 gauge RED wire leading from the amplifier and connect it to a +12 volt source. (The vehicle battery is the preferred source for +12V.)

The amplifier comes complete with a factory-installed **internal** 20 amp fuse.

## **WARRANTY**

Model 30.2330 has a 1 year warranty covering parts and labor. Merchandise returned under warranty shall be subject to factory inspection and repaired, replaced, or credited at the discretion of Able 2 Products Company, Inc. Water, condensation or negligence will **VOID** this warranty.