



# MODEL NO. 21.T9430 INSTRUCTIONS

## TECHNICAL SPECIFICATIONS

**INPUT VOLTAGE** .....11 TO 30 Vdc  
**INPUT CURRENT** .....2.0A-3.75A  
**INPUT POWER** .....35Watts  
**OUTPUT POWER** .....30Watts

### FLASH PATTERNS:

Random	Double Delay (1 alt 2)
Quad (1alt 2)	Quad Delay (1 alt 2)
Quint (1 alt 2)	Wave- fast to slow cycle (1 alt 2)
Double (1 alt 2)	Dual Wave- fast to slow cycle (1 & 2)
Twin Double (1 alt 2)	Dual Double (1 & 2)
Mega (1 alt 2)	Dual Quint (1 & 2)
Quint > Mega (1 alt 2)	Dual 1>3>5 flash (1 & 2)
Double > Quint (1 alt 2)	Def Jam Mode

## INSTALLATION

### 1. Physical Mounting

Use the power supply as a template to mark the hole locations. The mounting holes will accept up to a 1 /8" bolt.

### 2. Strobe Head Installation

Plug the strobe light heads into the outlets..

Connect the Red wire to Battery Positive+12v-+24vDC fused at 5 amp.

Connect the Black wire to chassis-Ground.

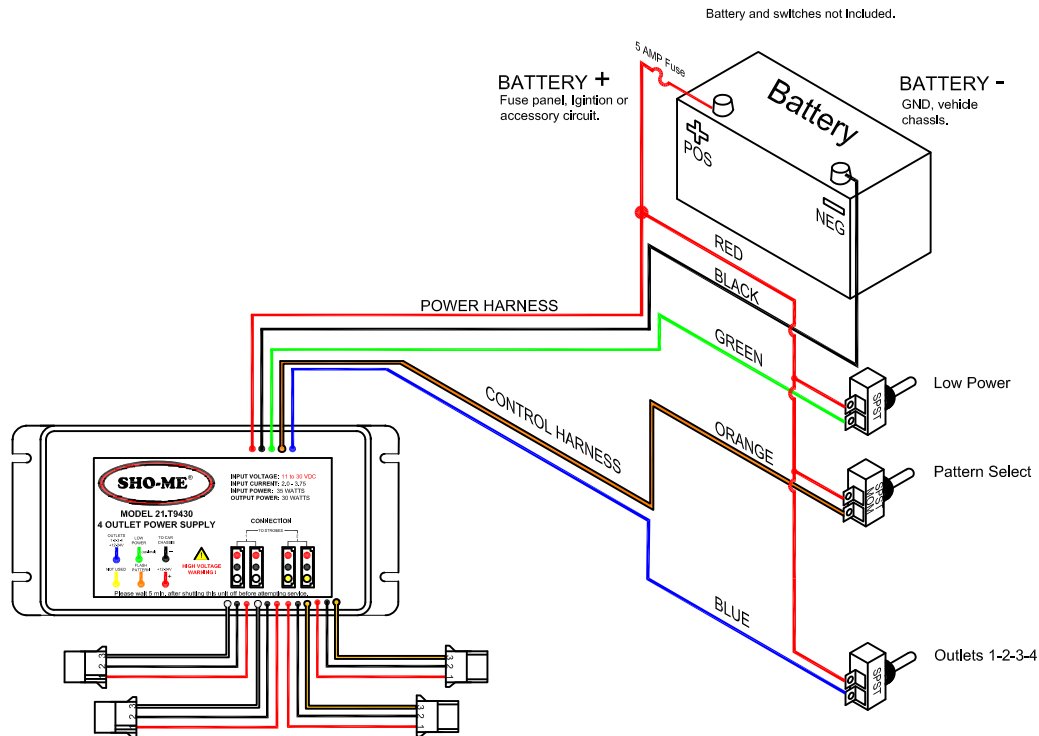
Connect the Blue wire to +12V-24V Switch.

Yellow wire NOT USED

The Green wire to Momentary +12V-24V switch.

Outlets "1" flash together and outlets "2" flash together.

## WIRING DIAGRAM



**PRODUCTS COMPANY** • 804 East Hwy. 248 • Cassville, MO 65625  
 U.S. and Canada Toll Free Numbers • Phone: 800-641-4098 FAX: 800-526-1240  
 E-mail: sales@able2products.com WEB: www.able2products.com