



LIGHT STORM®
LED Warning Stick
Model 12.6102

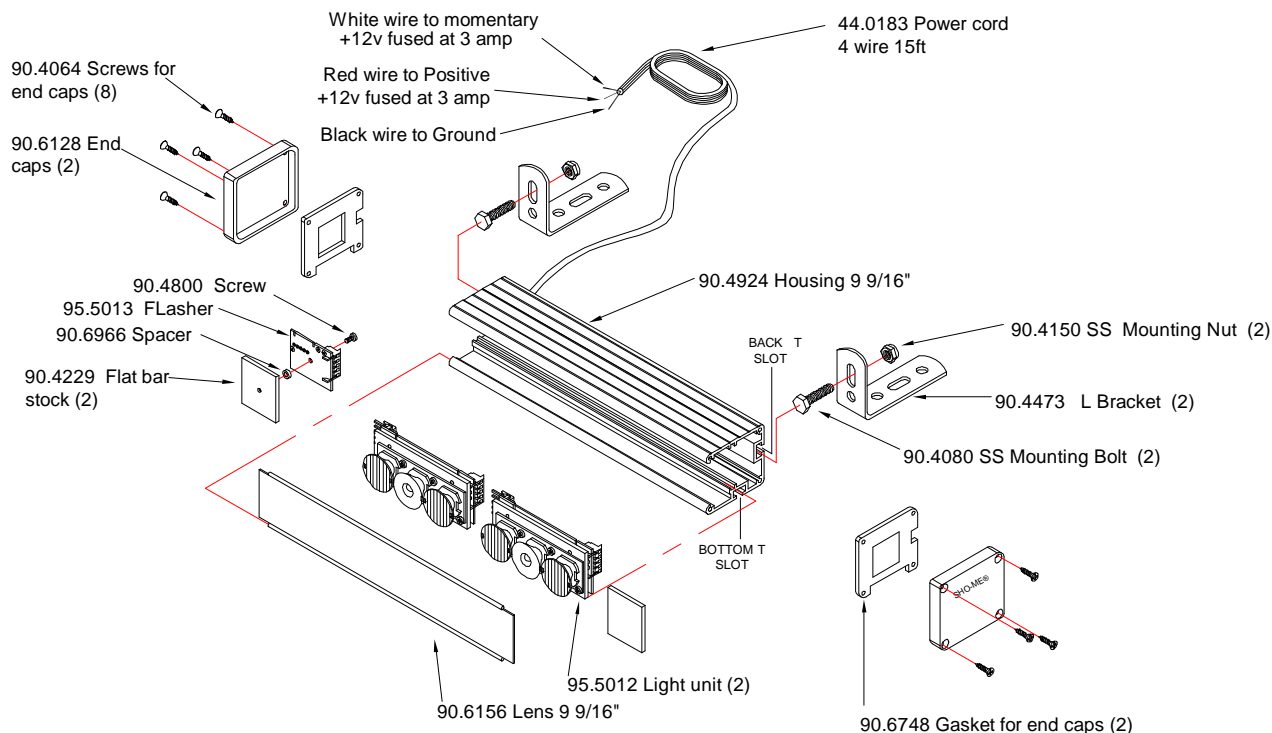
GENERAL INFORMATION

Model 12.6102 has 24 flash patterns. To change flash pattern, momentarily apply +12v to white mode wire. Each time +12v is applied, the flash pattern will change. To set Default Random flash pattern apply +12v to white wire for more than 5 seconds. The flash patterns are:

- | | | | |
|-------------|----------------|-------------------|-----------------|
| 1. Alt 120 | 7. Sim 600 | 13. Double-On Alt | 19. Mega-On Alt |
| 2. Alt 240 | 8. Sim 1200 | 14. Double-On Sim | 20. Mega-On Sim |
| 3. Alt 600 | 9. Double Alt | 15. Quad-On Alt | 21. Phased |
| 4. Alt 1200 | 10. Double Sim | 16. Quad-On Sim | 22. Random All |
| 5. Sim 120 | 11. Quad Alt | 17. Fast-Slow Alt | 23. Random Alt |
| 6. Sim 240 | 12. Quad Sim | 18. Fast-Slow Sim | 24. Random Sim |

INSTALLATION INSTRUCTIONS

Use the L - brackets (included) to mount the 12.6102 light. To install mounting bolts to the Warning Stick, remove the 4 screws from the end cap and install the mounting bolts into the desired t-slot as shown in drawing. Re-install the end cap.



PRODUCTS COMPANY • 804 East Hwy. 248 • Cassville, MO 65625
U.S. and Canada Toll Free Numbers • Phone: 800-641-4098 FAX: 800-526-1240
E-mail: sales@able2products.com WEB: www.able2products.com