



MODEL NO. 12.5064
Luminator LED Trio Light Kit

General Information:

The Luminator LED Trio Light is equipped with an internal flasher. It comes default in a random flash mode.

Wiring Instructions:

Refer to wiring instructions on page 2. When wiring, **Always** connect ground wire first and power wire last.

Flash Pattern Selection:

To change flash patterns, momentarily apply +12v to the Yellow "Sync-Mode" Wire. To reset to factory default pattern, apply +12v to the Yellow "Sync-Mode" Wire for more than 5 seconds. ***Do Not** ground **YELLOW** Wire*
When changing flash patterns, you may have to re-start before patterns will sychronize.

Flash Patterns

- | | |
|-------------------------|--------------------------|
| 1. 134 FPM Single Flash | 6. 536 FPM Quad-On |
| 2. 268 FPM Double Flash | 7. 401 FPM Triple Flash |
| 3. 536 FPM Quad Flash | 8. 1873 FPM Hyper Flash |
| 4. 1070 FPM Super Flash | 9. Steady |
| 5. 134 FPM Single-On | 10. Random 1-8 (Default) |

Synchronization:

Connect all yellow wires together to synchronize. When wired as shown, the Luminator LED Trio Light will be synchronized.

Group Selection:

The White "Group Selection" Wire will determine which lights flash at the same time, when you have 2 or more lights. For Group 1, connect White "Group Selection" wire with Red Power wire. For Group 2, DO NOT connect White "Group Selection" wire to anything. Group 1 & Group 2 will alternate.

***Do Not** use White wire if using only one light.*

Product Specifications:

Optimum Operation Voltage: +13.8 VDC
Operating Current: 1.5 - 3 amps
Recommended Fuse: 5 amp



PRODUCTS COMPANY 804 East Hwy 248 Cassville, MO 65625
U.S. and Canada Toll Free Numbers Phone: 800-641-4098 FAX: 800-526-1240
E-mail: sales@able2products.com WEB: www.able2products.com

Installation Instructions

1a. Luminator LED Trio Light Installation With Brackets

Drill out the mounting hole, Point A, on each end of the Luminator LED Trio Light to 11/ 64". Attach the brackets to desired location using the (4) longer screws. Then place the Trio Light into the brackets and attach it using the shorter screws and locknuts. The gasket will not be needed.

1b. Luminator LED Trio Light Installation Without Brackets (Diagram A)

Use Point B. Drill the 2 holes on the mounting surface for the Luminator LED Trio Light using the Trio Light as a guide. Place the gasket under the Trio Light. Attach the Trio Light using (2) longer screws provided.

2. Connect wires to switches as shown in "Diagram C".

Parts Included in Trio Light Kit

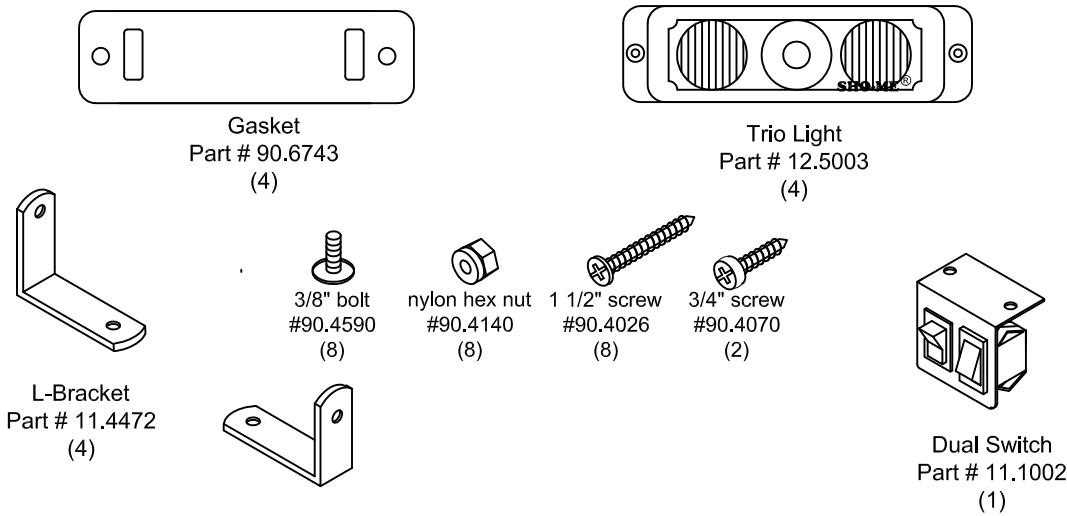


Diagram "C"

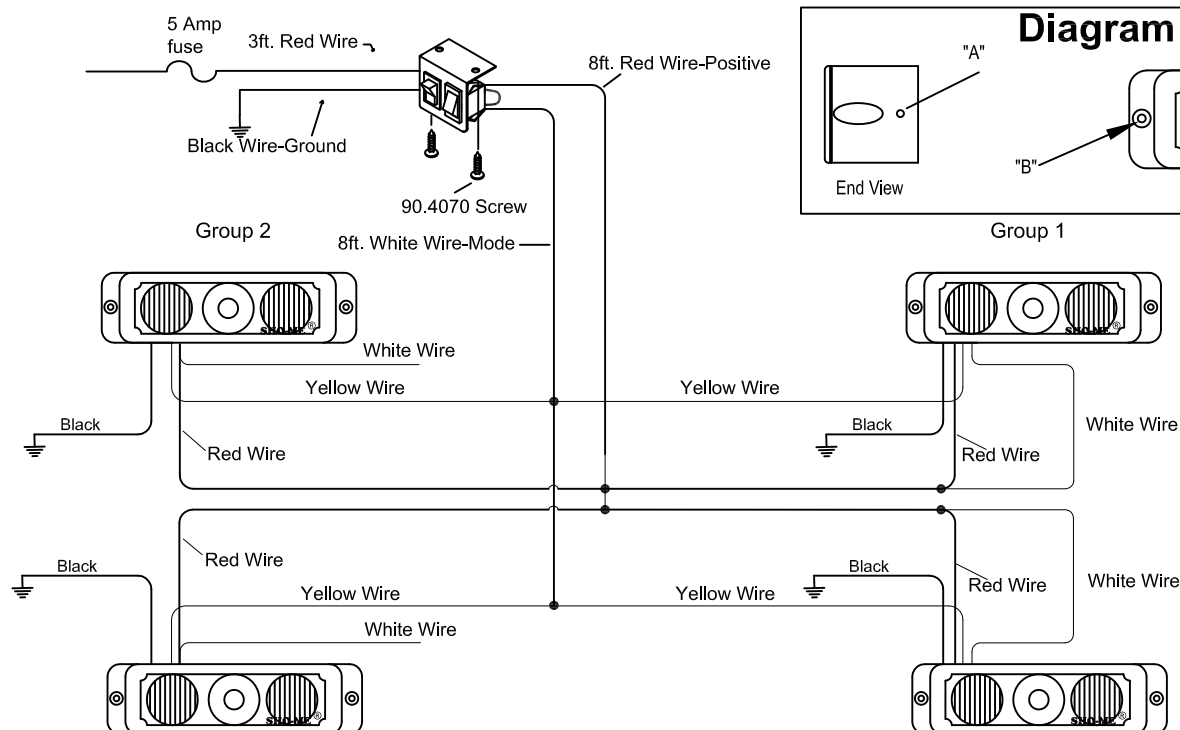
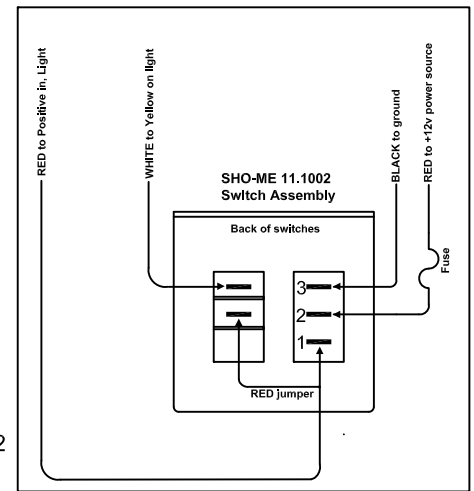


Diagram "A"

