



**SHO-OFF<sup>®</sup>**

MODEL NO. 12.1340.CONT  
Interior use LED Signal Stick

**GENERAL INFORMATION:**

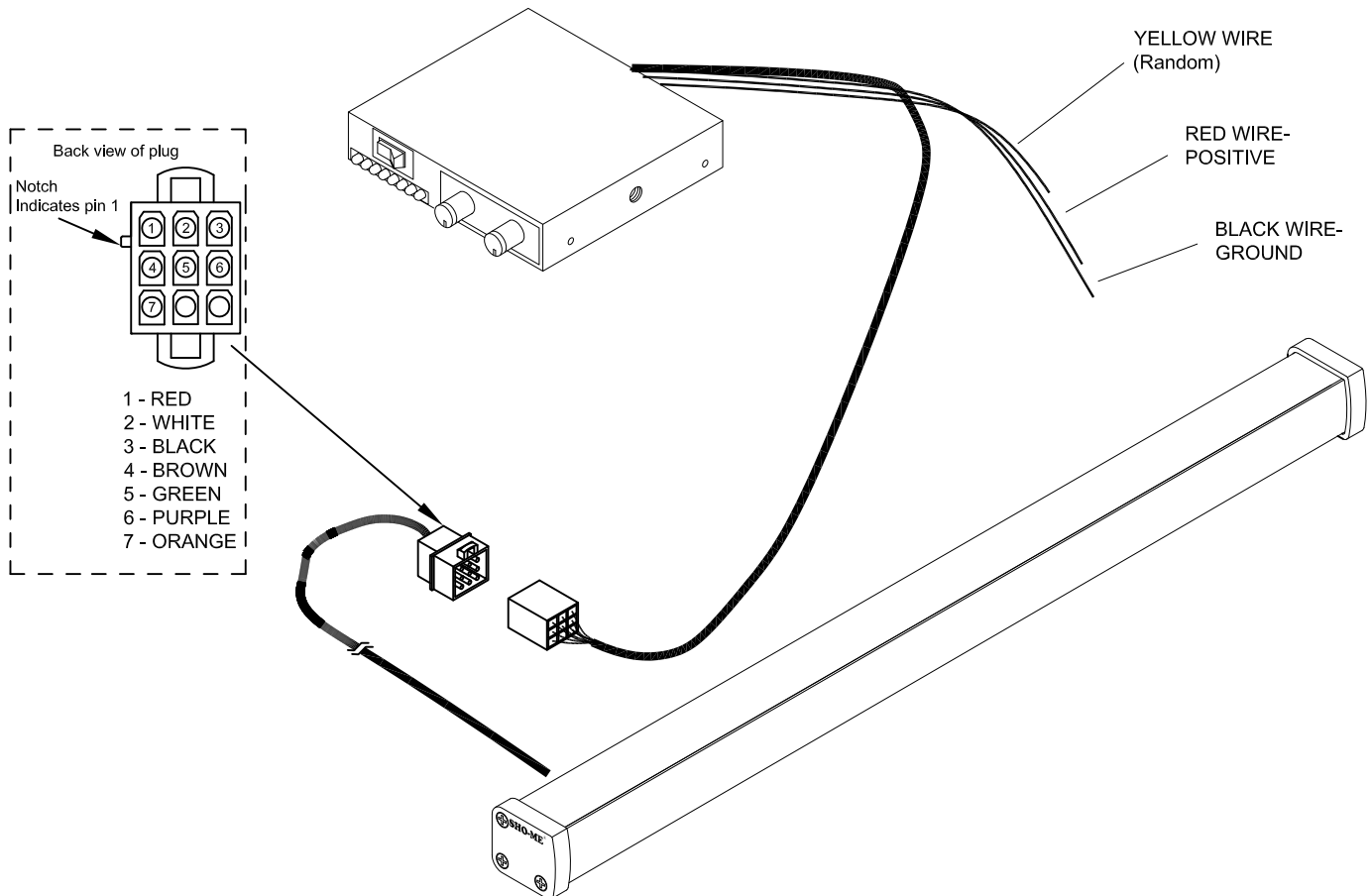
**NOTES:** This light is for interior use only . Do not mount outside of vehicle.  
The 12.1340 LED Signal Stick Connects to a 12.1006IDM-HD Controller.

**PRODUCT SPECIFICATIONS:**

Optimum Input Voltage: +13.8 VDC  
Operating Current: 4.5 amps  
Recommended Fuse: 5 amp

**INSTALLATION INSTRUCTIONS:**

Locate desired mounting location for "By The Inch" light. Keep in mind air bag deployment area. Use the "L" brackets to mount the LED Light. Vary the height of the LED Light by positioning the longer side of the "L" bracket flat against the mounting surface for lower height. Position the shorter side of the "L" bracket flat against the mounting surface for a higher height. After mounting to the desired height, connect as shown in the diagram below.



**PRODUCTS COMPANY • 804 East Hwy. 248 • Cassville, MO 65625**  
U.S. and Canada Toll Free Numbers • Phone: 800-641-4098 FAX: 800-526-1240  
E-mail: sales@able2products.com WEB: www.able2products.com