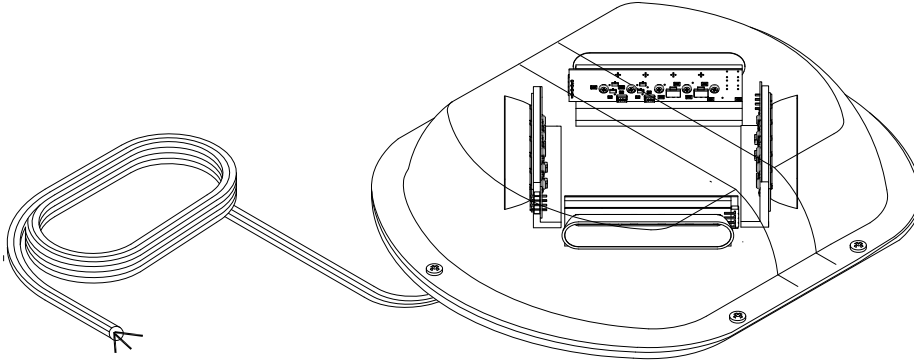




SHO-OFF®

MODEL NO. 12.1304
Permanent Mount
LED Mini Bar



GENERAL INFORMATION:

The **SHO-ME**® LED Mini Bar is equipped with a solid state LED flasher. The LED flasher has 12 flash patterns including random. A 12v momentary switch is required to change flash pattern (not included). Each time the momentary switch is pressed, the flash pattern will change. To go directly to random, press the momentary mode switch for more than 5 seconds.

FLASH PATTERNS:

- | | | |
|--|--|--|
| 1. Alternating Halves - Quad Flash | 6. Alternating Opposite Corners - 240 FPM | 11. Alternating Opposite Corners - Quad-ON |
| 2. Alternating Halves - 120 FPM | 7. Alternating Halves - Double Flash | 12. Alternating Opposite Corners - Double-ON |
| 3. Alternating Halves - 240 FPM | 8. Alternating Opposite Corners - Double Flash | 13. Alternating Halves - MEGA |
| 4. Alternating Opposite Corners - Single Flash | 9. Alternating Halves - Quad-ON | 14. Alternating Opposite Corners - MEGA |
| 5. Alternating Opposite Corners - 120 FPM | 10. Alternating Halves - Double-ON | 15. Random |

WIRING INSTRUCTIONS:

Connect the Green wire to positive +12 volts switched.
Connect the White wire to positive +12 volts momentary switched.
Connect the Black wire to Ground.

INSTALLATION INSTRUCTIONS:

Determine location to mount your LED Mini Light Bar. Do not install this product or route any wires in the deployment area of your air bag. Equipment mounted or located in the air bag deployment area will damage or reduce the effectiveness of the air bag, or become a projectile that could cause serious personal injury or death.

WARNING: The steel content of vehicle roofs varies considerably and some may not be suitable for mounting warning lights with magnetic bases. **It is the sole responsibility of the users** of magnetic based lights to determine if portable warning lights may be safely used on the exterior of vehicle.

If mounting this product requires drilling holes, the installer **MUST** be sure that no vehicle components or other vital parts could be damaged by the drilling process. Check both sides of the mounting surface before drilling begins. Also deburr any holes and remove any metal shards or remnants. Install grommets into all wire passage holes.

Use only soap and water to clean the outer lens. Use of other chemicals could result in premature lens cracking and discoloration. Lenses in this condition have significantly reduced effectiveness. Inspect and operate this product regularly to confirm its proper operation and mounting condition. **Do not use a pressure washer to clean this product.**



PRODUCTS COMPANY • 804 East Hwy. 248 • Cassville, MO 65625
U.S. and Canada Toll Free Numbers • Phone: 800-641-4098 FAX: 800-526-1240
E-mail: sales@able2products.com WEB: www.able2products.com