



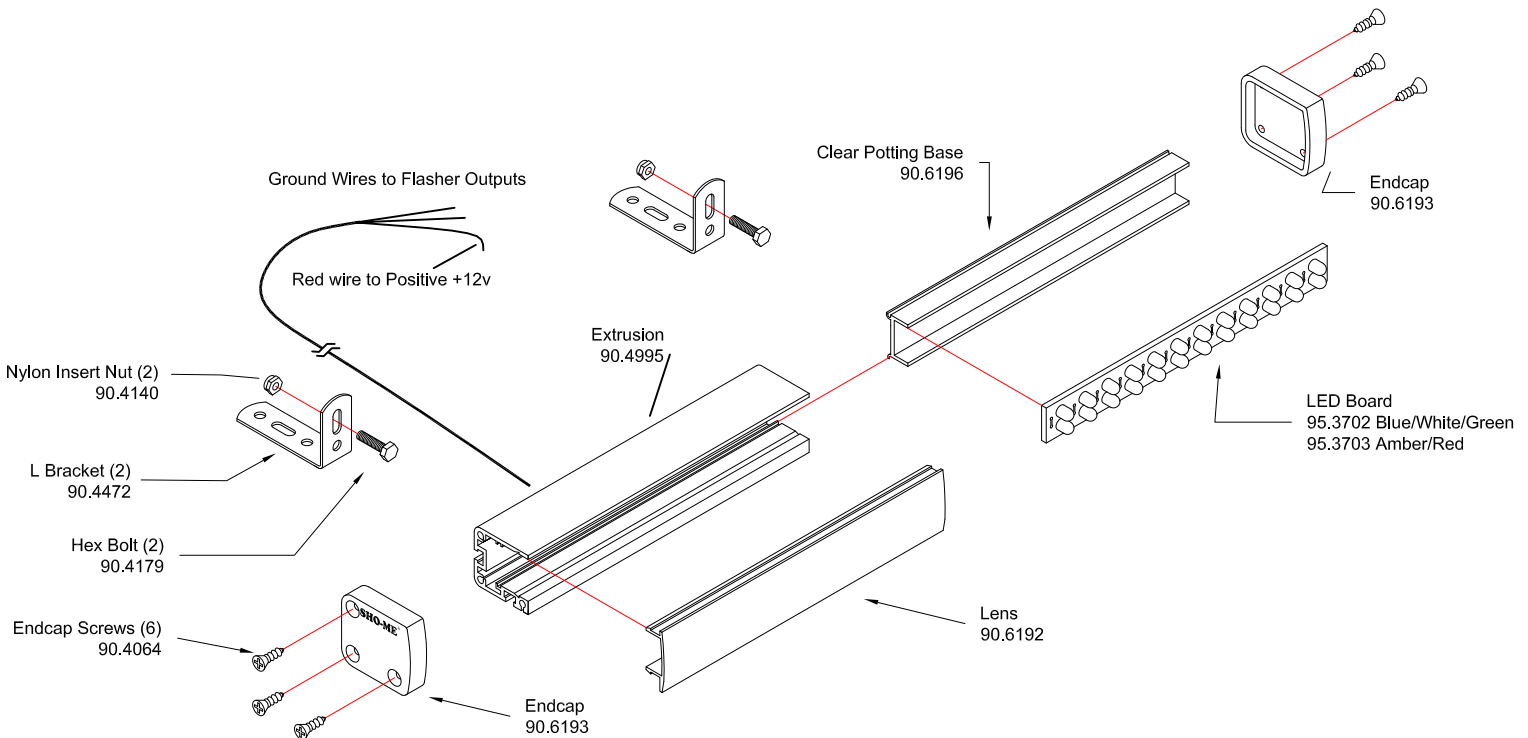
MODEL NO. 11.8300GS
Ground Switching Series
LED "By The Inch" Light

GENERAL INFORMATION:

NOTE: The 11.8300 Ground Switching Series LED "By The Inch" Lights must be wired to a ground switching flasher, such as 11.1022. If light is connected to 12V (steady burn) it will over heat, and void warranty.

PRODUCT SPECIFICATIONS:

Optimum Input Voltage: +13.8 VDC
Operating Current: .04 amps per inch
Recommended Fuse: 3 amps



PRODUCTS COMPANY • 804 East Hwy. 248 • Cassville, MO 65625
U.S. and Canada Toll Free Numbers • Phone: 800-641-4098 FAX: 800-526-1240
E-mail: sales@able2products.com WEB: www.able2products.com