



MODEL NO.11.4000SF LED Visor Light

GENERAL INFORMATION:

The LED Visor Light features two switches, **Power** - ON/OFF, and **Mode** to select the flash pattern (Map light is optional on Red Visor Lights.) When selecting a flash pattern, hold mode button until flashing stops, then release button for next flash pattern. When the power is turned off then back on, the LED Visor Light will resume the exact flash pattern as before power was interrupted.

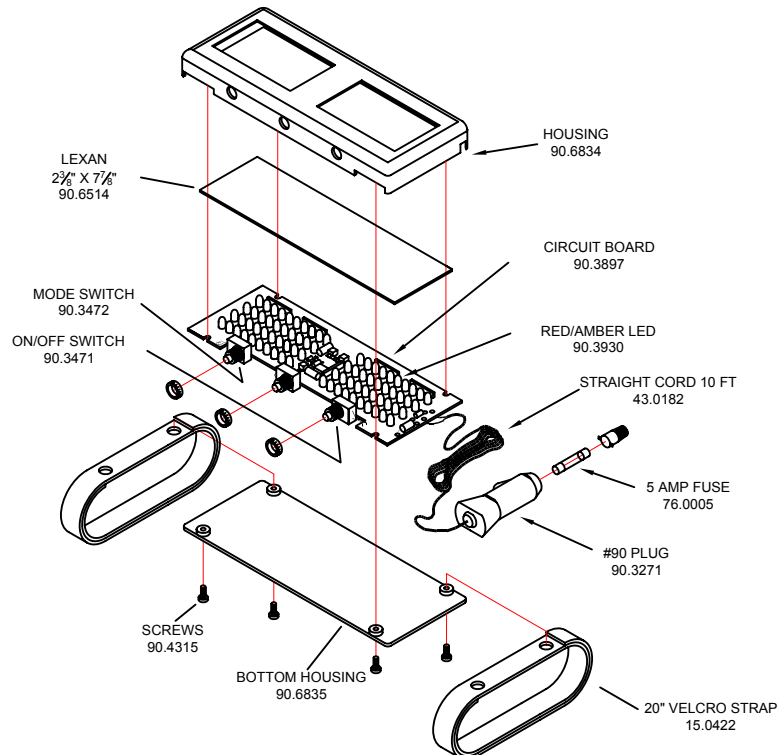
The LED Visor Light has seven flash patterns to choose from:

- | | |
|-----------------------------|------------------------------|
| 1. Double Alternating Flash | 5. Double Simultaneous Flash |
| 2. Quad Alternating Flash | 6. Quad Simultaneous Flash |
| 3. Quint Alternating Flash | 7. Automatic Random Select |
| 4. Mega Alternating Flash | |

INSTALLATION INSTRUCTIONS:

Select the visor you wish to use for mounting your new Visor Light. With visor in the down position mount Visor Light with attached Velcro straps. (Visor Light should be facing the front glass.) Route cord in a manner so it will not interfere with airbag deployment. Plug into lighter or accessory outlet.

NOTE: To avoid light being blocked by tinted strip at top of windshield mount Visor Light at the bottom of visor, if desired.



PRODUCTS COMPANY 804 East Hwy 248 Cassville, MO 65625
 U.S. and Canada Toll Free Numbers Phone: 800-641-4098 FAX: 800-526-1240
 E-mail: sales@able2products.com WEB: www.able2products.com