



## Model No. 11.2840 LED Duo Dash Light with Internal Flasher

### General Information:

The Duo Dash Light is a compact, highly visible emergency warning light. It has a 7 flash patterns: Double Alternating, Quad Alternating, Quint Alternating, Mega Alternating, Double Simultaneous, Quad Simultaneous and Random.

To change flash pattern, press the momentary switch (Located on the lighter plug adaptor). Each time the momentary switch is pressed, the flash pattern will change.

### INSTALLATION INSTRUCTIONS:

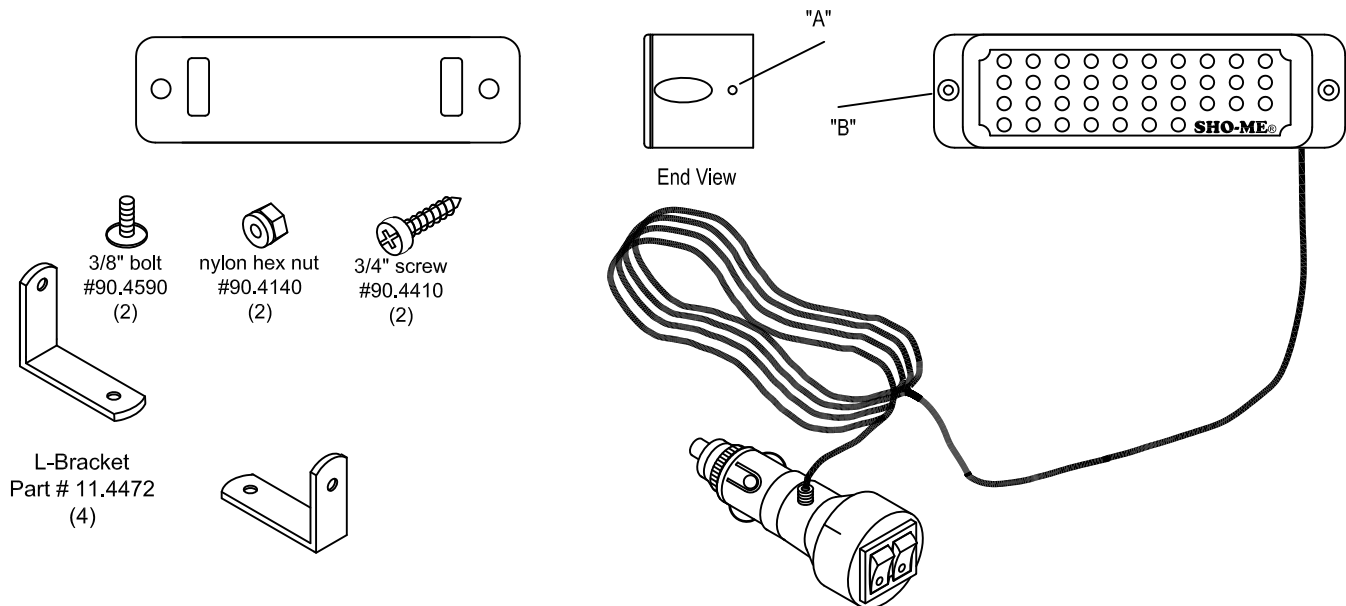
#### 1a. LED Light Installation With Brackets

Drill out the mounting hole, Point A, on each end of the LED Light to 11/64". Attach the bracket to desired location using the (2) longer screws. Then place the LED Light into the bracket and attach it using the shorter screws and locknuts. The gasket will not be needed.

#### 1b. LED Light Installation Without Brackets

Use Point B. Drill the (2) holes on the mounting surface for the LED Light using an LED Light as a guide. Place the gasket under the LED Light. Attach the LED Light using (2) longer screws provided.

2. After mounting the Duo Dash Light, plug cigarette adaptor plug into cigarette lighter or power outlet. (Keep in mind Air Bag Deployment area and other obstacles.) Turn the light on using the power switch (Located on the lighter plug adaptor) .



**PRODUCTS COMPANY** 804 East Hwy 248 Cassville, MO 65625  
U.S. and Canada Toll Free Numbers Phone: 800-641-4098 FAX: 800-526-1240  
E-mail: sales@able2products.com WEB: www.able2products.com