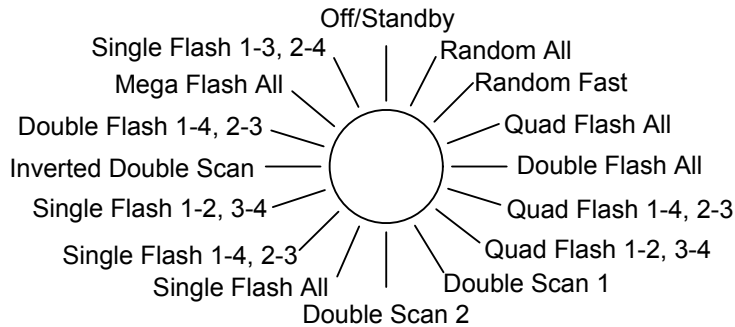




MODEL NO. 11.2720ROT LED Quad Light Stick With Rotary Pattern Selector

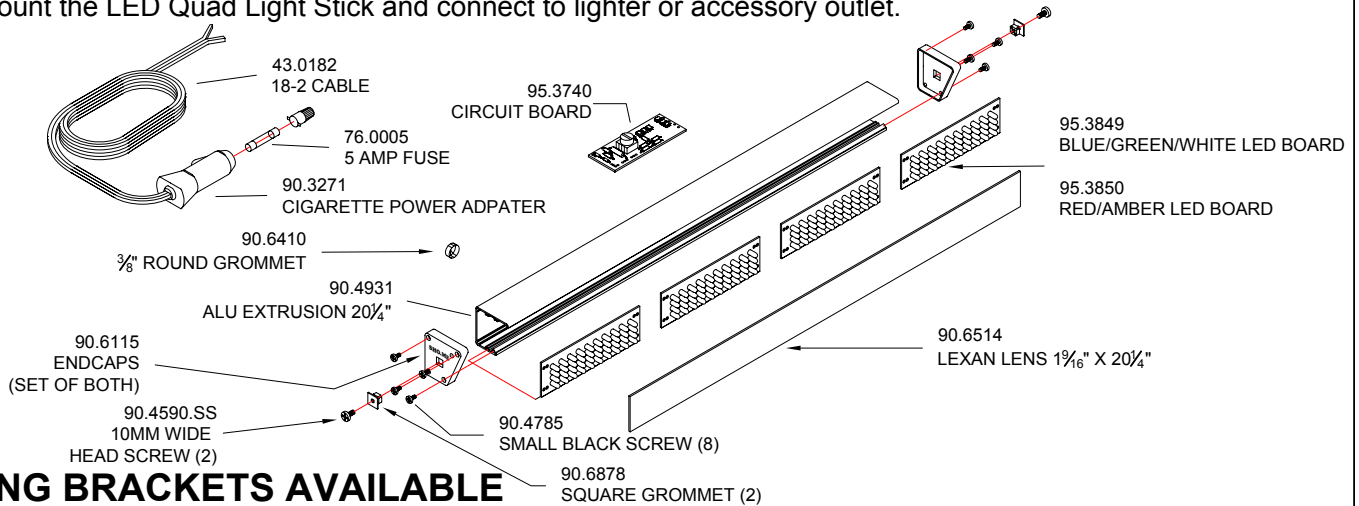
GENERAL INFORMATION

The LED Quad Light Stick features one Rotary Selector Switch as a Power and Pattern Selector. When selecting a flash pattern, turn the Rotary Switch until desired pattern is reached. To turn light stick off, return the Rotary Switch to point vertical toward the Off/Standby selection. The LED Quad Light Stick has fifteen (15) flash patterns to choose from:



INSTALLATION INSTRUCTIONS

Choose a location to mount your LED Quad Light Stick, keeping in mind the airbag deployment area and any other obstacles. Mount the LED Quad Light Stick and connect to lighter or accessory outlet.



MOUNTING BRACKETS AVAILABLE

<p>DASH BRACKET w/suction cups Model No. 11.2010</p> <p>90.6091 Suction Cups 1.75" Diameter</p> <p>Nylon Edging</p> <p>90.4471 Adjustable .032 Aluminum Bracket</p>	<p>L BRACKETS (2) Model No. 11.4472</p> <p>90.4410 Screw (2)</p>	<p>HEADLINER BRACKET Model No. 11.2025</p>	<p>WINDSHIELD BRACKETS (2) w/windshield adhesive Model No. 11.4474</p>
---	--	--	--



PRODUCTS COMPANY 804 East Hwy 248 Cassville, MO 65625
U.S. and Canada Toll Free Numbers Phone: 800-641-4098 FAX: 800-526-1240
E-mail: sales@able2products.com WEB: www.able2products.com