



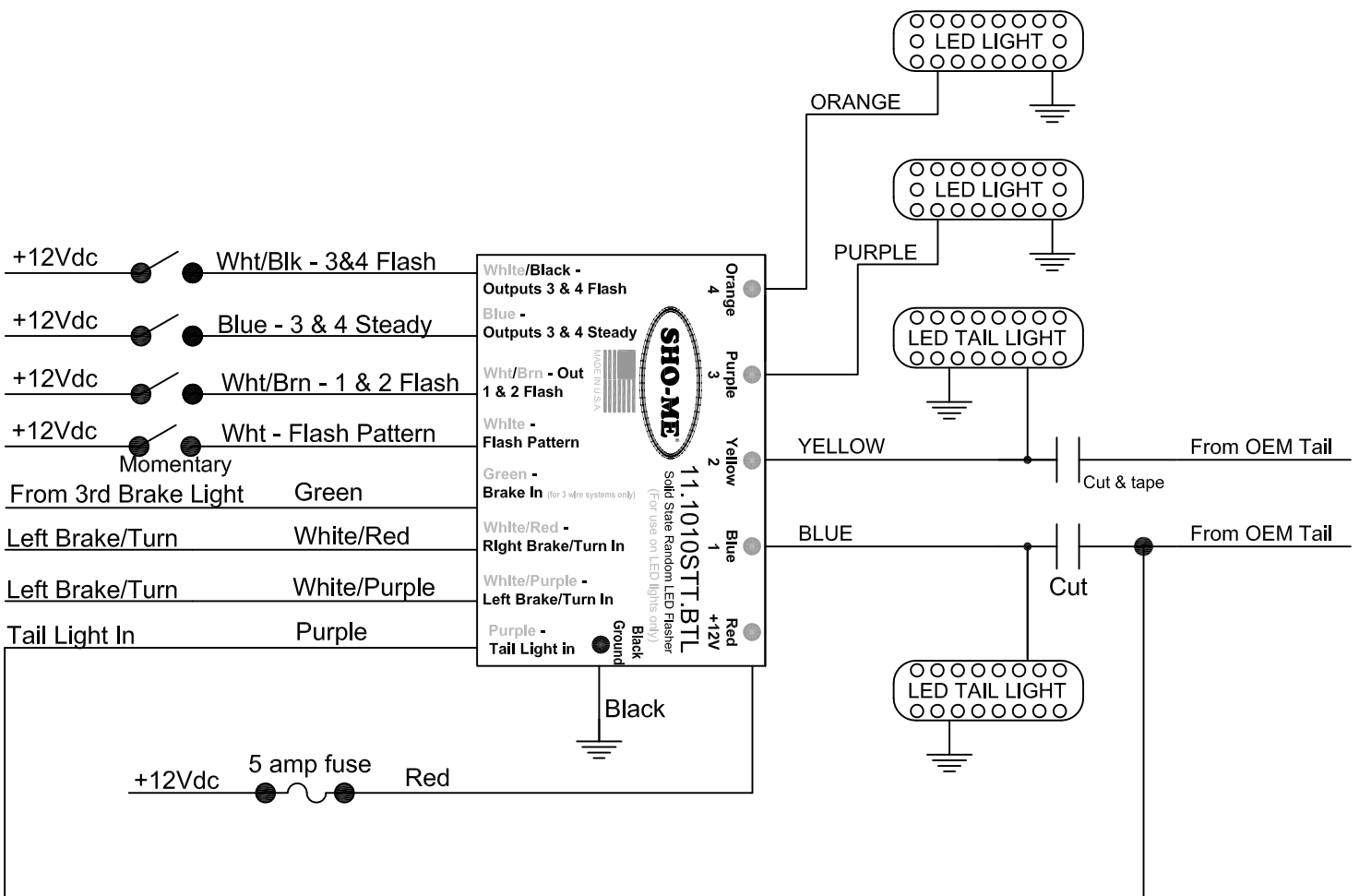
Model No. 11.1010STT.BTL Solid State LED Tail Light Flasher

Attention Installers:

This flasher MUST be installed by a qualified technician that is familiar with vehicle electrical systems.

The 11.1010STT.BTL is designed for use on existing vehicle LED tail lights.

It is the final responsibility of the installer of flashers to determine their compatibility with the vehicle in which they will be installed. Incorrect wiring of the flasher could result in costly problems or even permanent damage to the vehicle's computer. Some vehicle manufacturers may NOT allow the use of a flasher. Please consult your operator's manual prior to installation.



PRODUCTS COMPANY 804 East Hwy 248 Cassville, MO 65625
 U.S. and Canada Toll Free Numbers Phone: 800-641-4098 FAX: 800-526-1240
 E-mail: sales@able2products.com WEB: www.able2products.com