



MODEL NO. 10.4000 SERIES Low-Profile LED Scene Light

INSTALLATION:

Select a location suitable for installation of the light. Take special care to ensure the light or wires do not obstruct the deployment of the airbag! Mark the location of the mounting holes. Drill holes at these locations using a 1/4" drill bit. Mount the bracket, and then mount the light to the bracket using the supplied bolts and washers as shown in the diagram below.

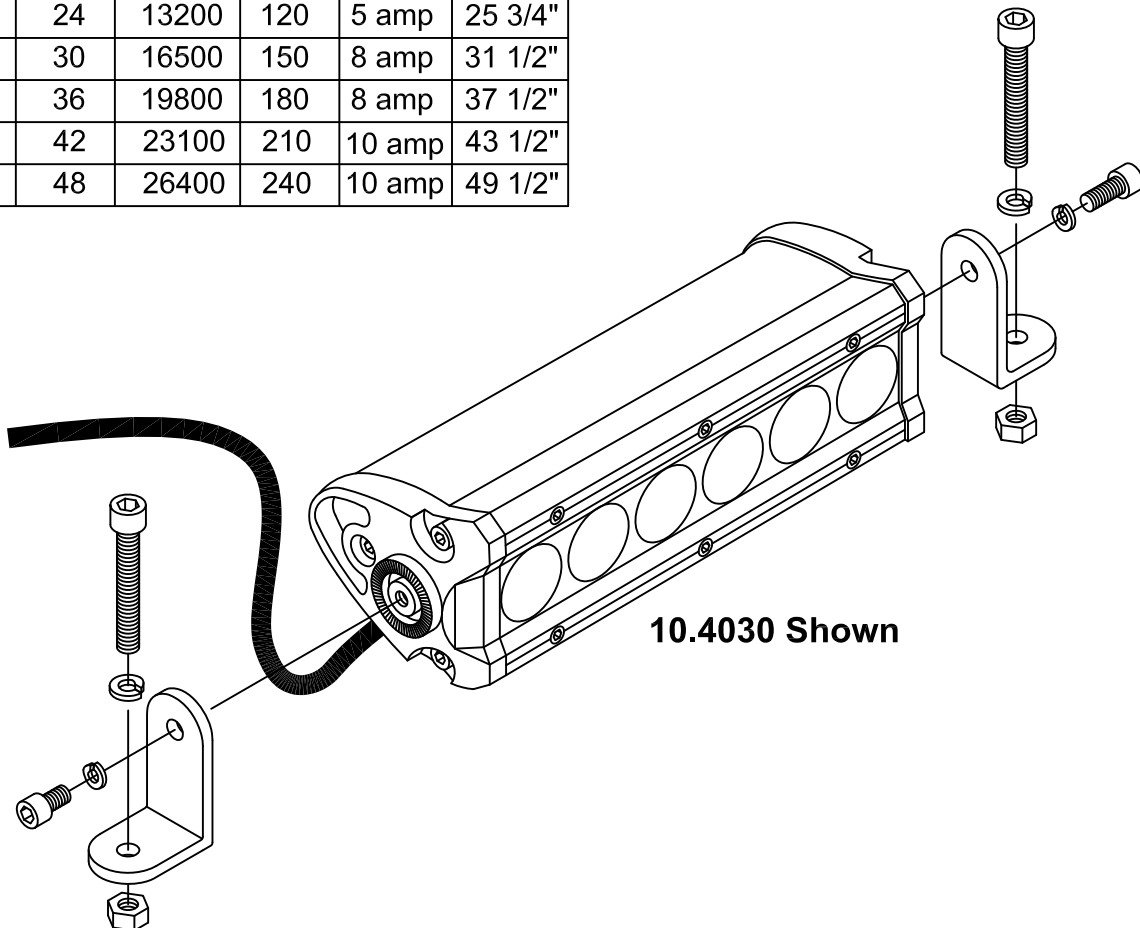
WIRING:

Connect the positive wire to +12v - +24v.

Connect the Black wire to - Ground

SPECIFICATIONS:

Model no.	LEDs	Lumens	Watts	Fuse	Length
10.4030	6	3300	30	3 amp	8 1/4"
10.4060	12	6600	60	3 amp	14"
10.4090	18	9900	90	5 amp	19 7/8"
10.4120	24	13200	120	5 amp	25 3/4"
10.4150	30	16500	150	8 amp	31 1/2"
10.4180	36	19800	180	8 amp	37 1/2"
10.4210	42	23100	210	10 amp	43 1/2"
10.4240	48	26400	240	10 amp	49 1/2"



10.4030 Shown



PRODUCTS COMPANY 804 East Hwy 248 Cassville, MO 65625
 U.S. and Canada Toll Free Numbers Phone: 800-641-4098 FAX: 800-526-1240
 E-mail: sales@able2products.com WEB: www.able2products.com