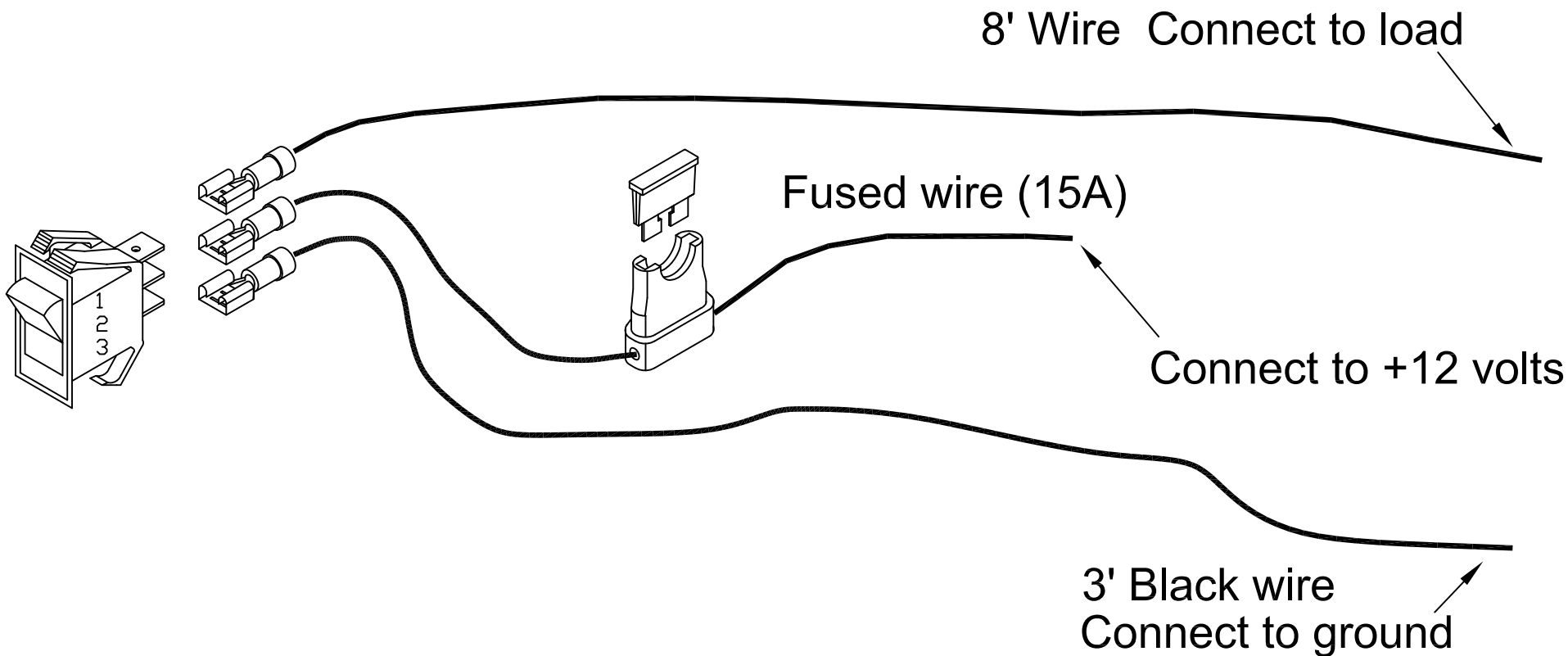




MODEL NO. 10.0895  
Open Switch box w/501 20A  
Lighted Rocker Switch  
Wiring Diagram



**PRODUCTS COMPANY** • 804 East Hwy. 248 • Cassville, MO 65625  
U.S. and Canada Toll Free Numbers • Phone: 800-641-4098 FAX: 800-526-1240  
E-mail: sales@able2products.com WEB: www.able2products.com