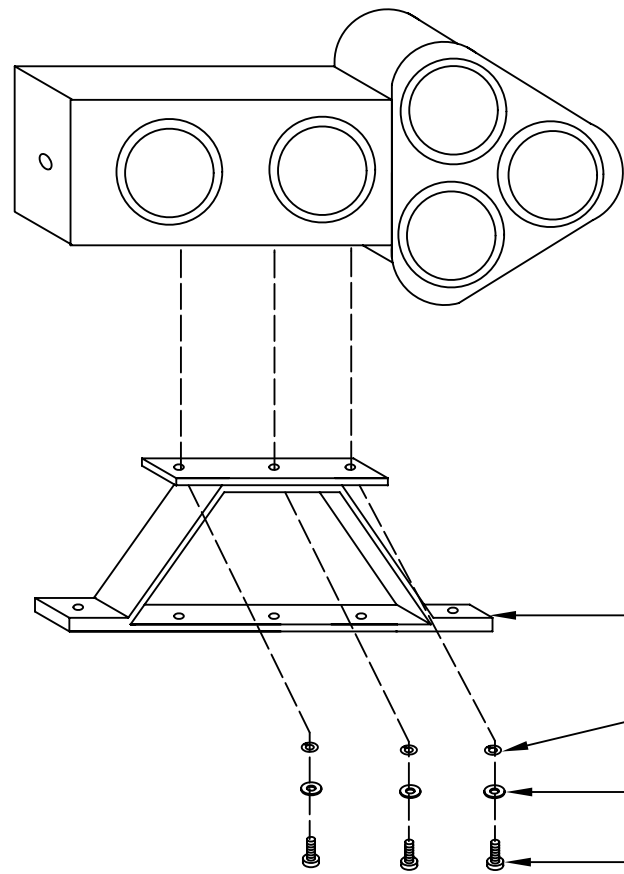
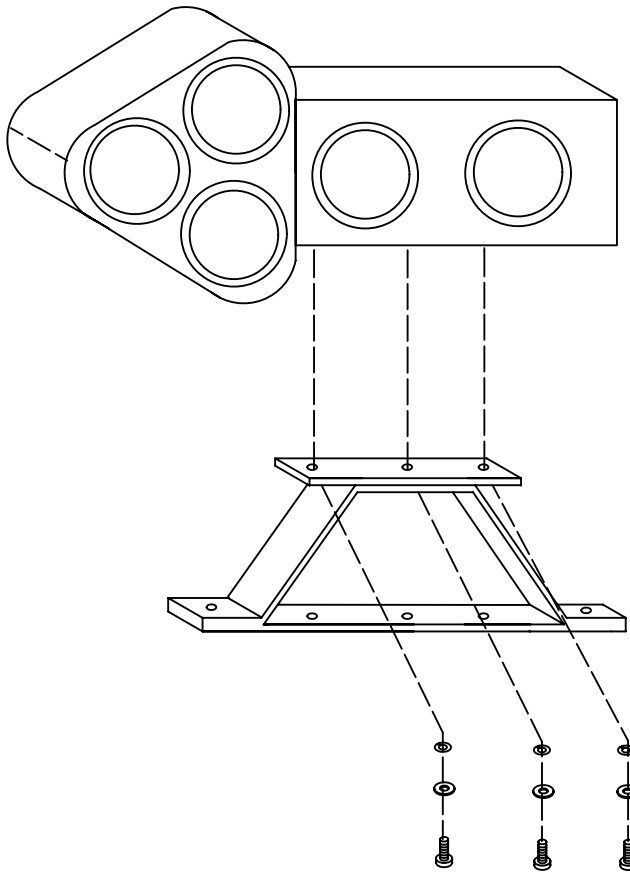


Model No. 02.6210
Two-Piece Arrow Board
Standard Mounting Bracket



- 90.4906 Standard Mount Bracket (2)
- 90.4927 1/4" SS Split Washer (6)
- 90.4940 Flat Washer (6)
- 90.4080 1/4-20 X 1" SS Bolt (6)